

# Mountain Top® Roll

Installation manual



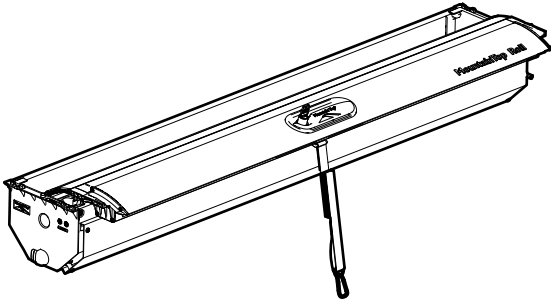
DOWNLOAD PDF





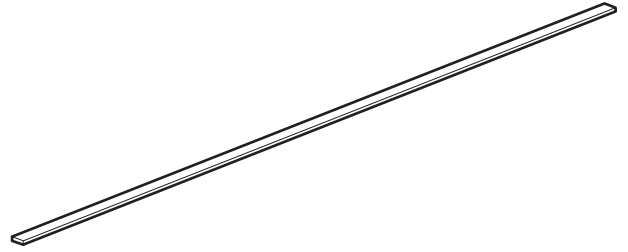
Parts

**A**



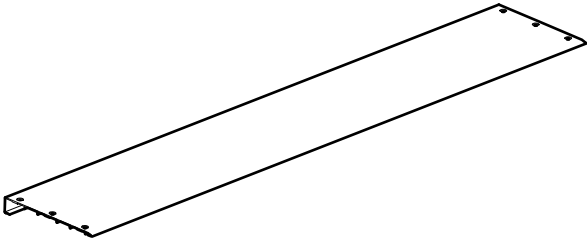
x 1

**B**



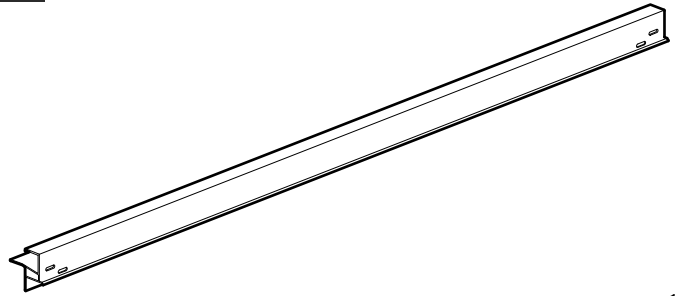
x 1

**C**



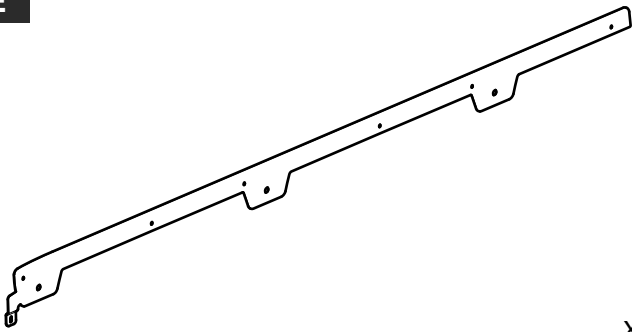
x 1

**D**



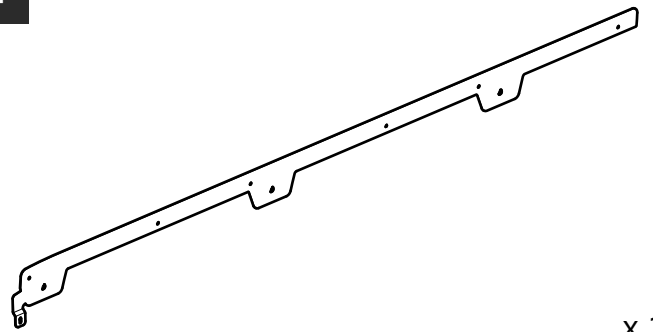
x 1

**E**



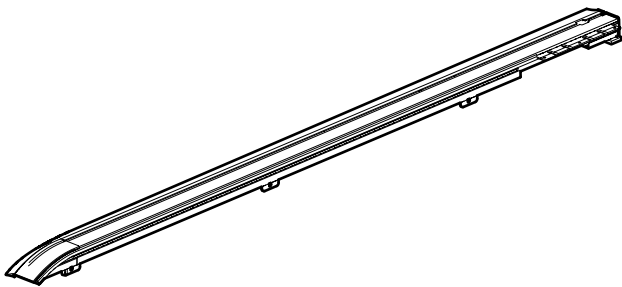
x 1

**F**



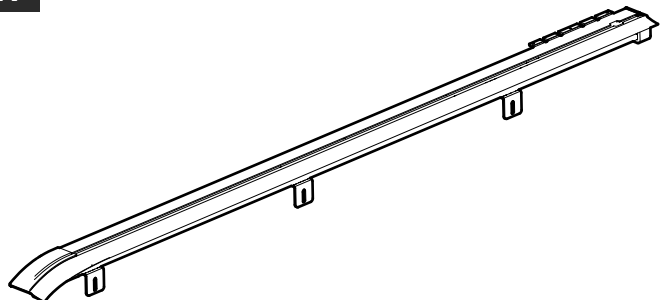
x 1

**G**



x 1

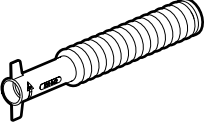


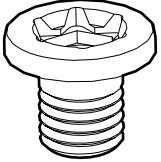
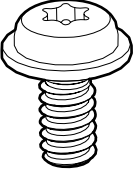
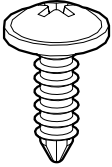
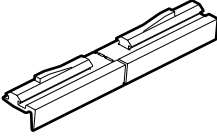
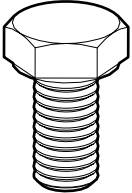
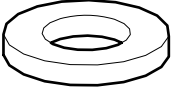
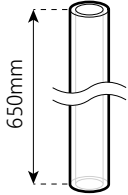
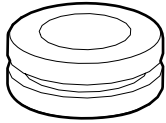
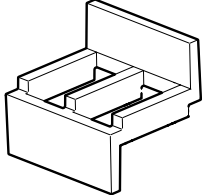

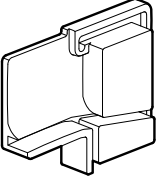
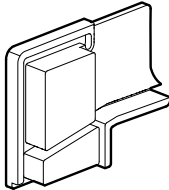
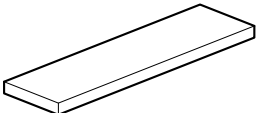
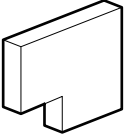
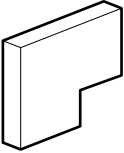
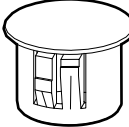
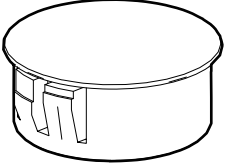


**H**



x 1

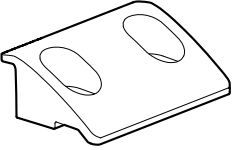
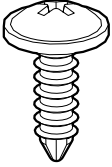


Kit # 824 040

<b>I</b>  x 2	<b>J</b>  x 6	<b>K</b>  x 6	<b>L</b>  x 6
<b>M</b>  x 4	<b>N</b>  x 19	<b>O</b>  x 1	<b>P</b>  x 6
<b>Q</b>  x 6	<b>R</b>  x 2	<b>S</b>  x 2	<b>T1</b>  x 2
<b>T2</b>  x 2	<b>U1</b>  x 1	<b>U2</b>  x 1	<b>V</b>  x 2
<b>X1</b>  x 1	<b>X2</b>  x 1	<b>Y1</b>  x 2	<b>Y2</b>  x 2
 MANUAL x 1	 TÜV x 1		

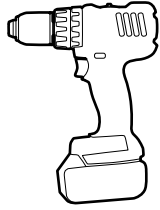
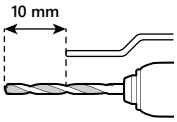


Kit # 824 203

<b>Z1</b>  x 1	<b>Z2</b>  x 2
---	---



### Tools and materials needed

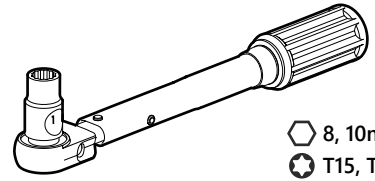


Ø 3,5 mm  
Ø 17 mm  
Ø 24 mm

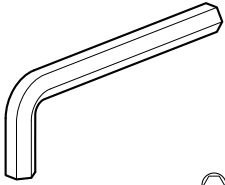


Rust protection  
Rostschutzmittel  
Anti-rouille  
Anti roest

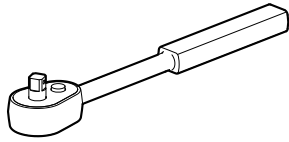
1 - 25 Nm



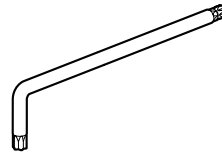
⬡ 8, 10mm  
⊕ T15, T30  
⦶ 3 mm



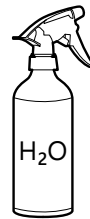
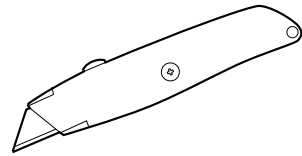
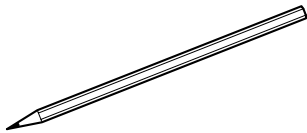
⦶ 3 mm



⦶ 8, 10 mm

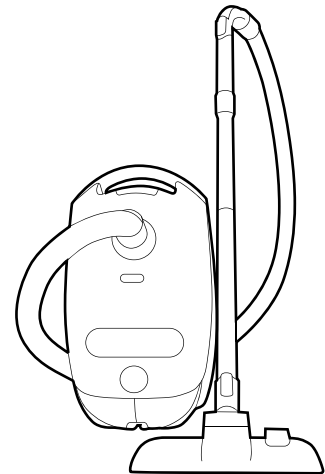
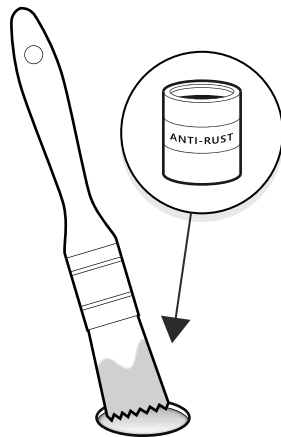
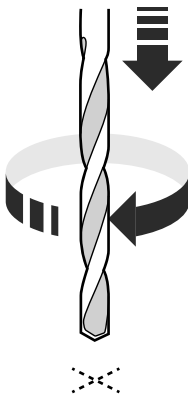


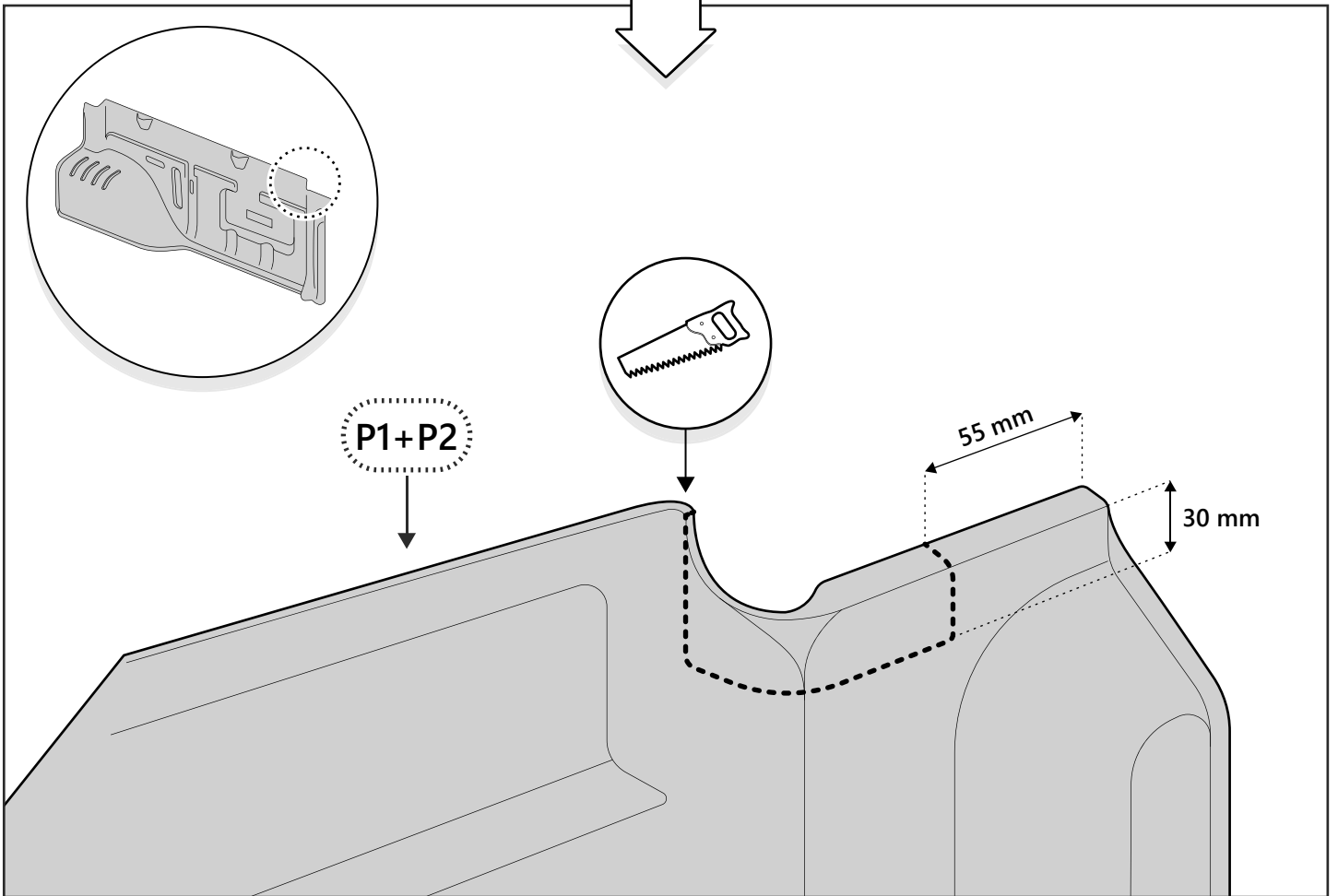
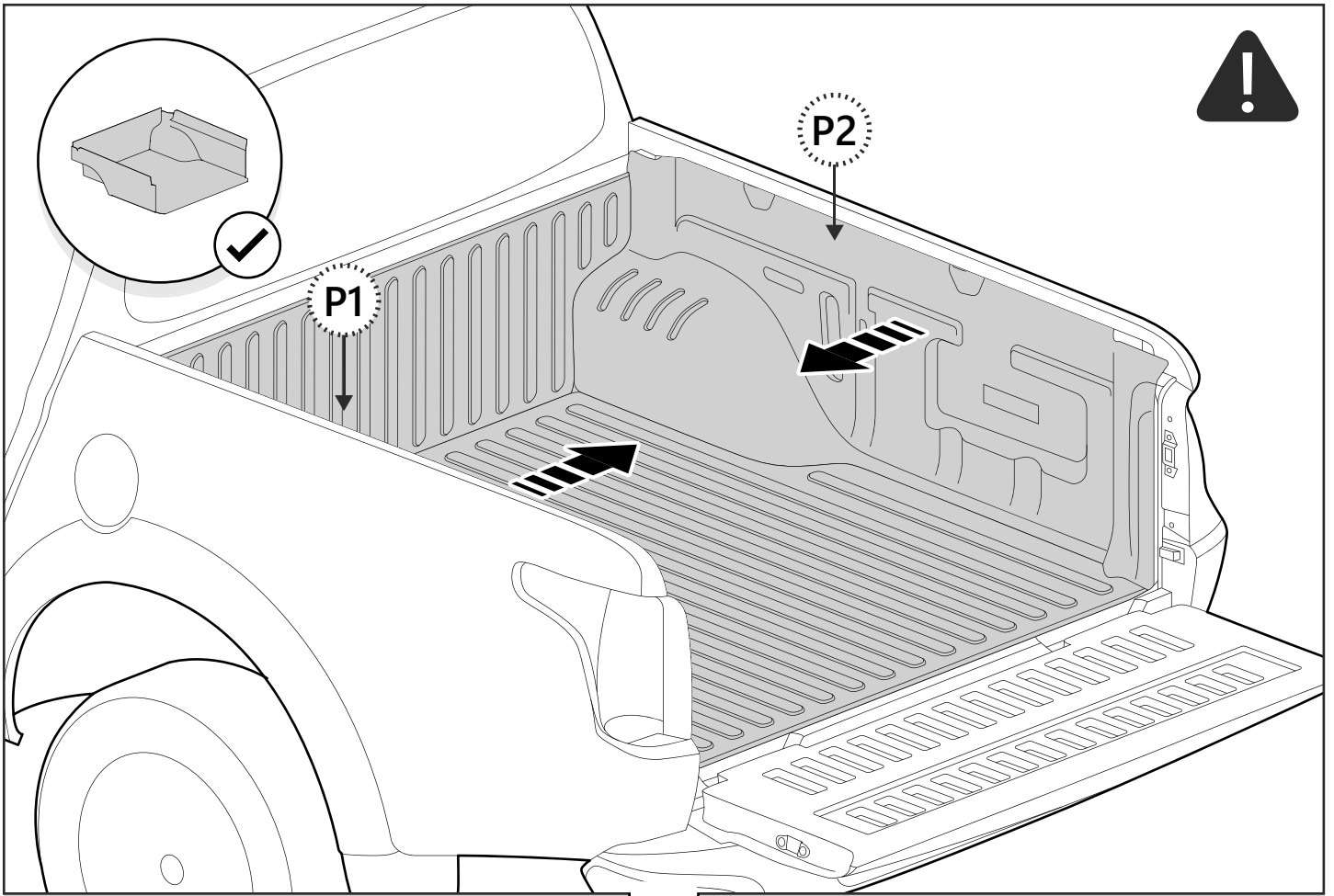
⊕ T15, T30

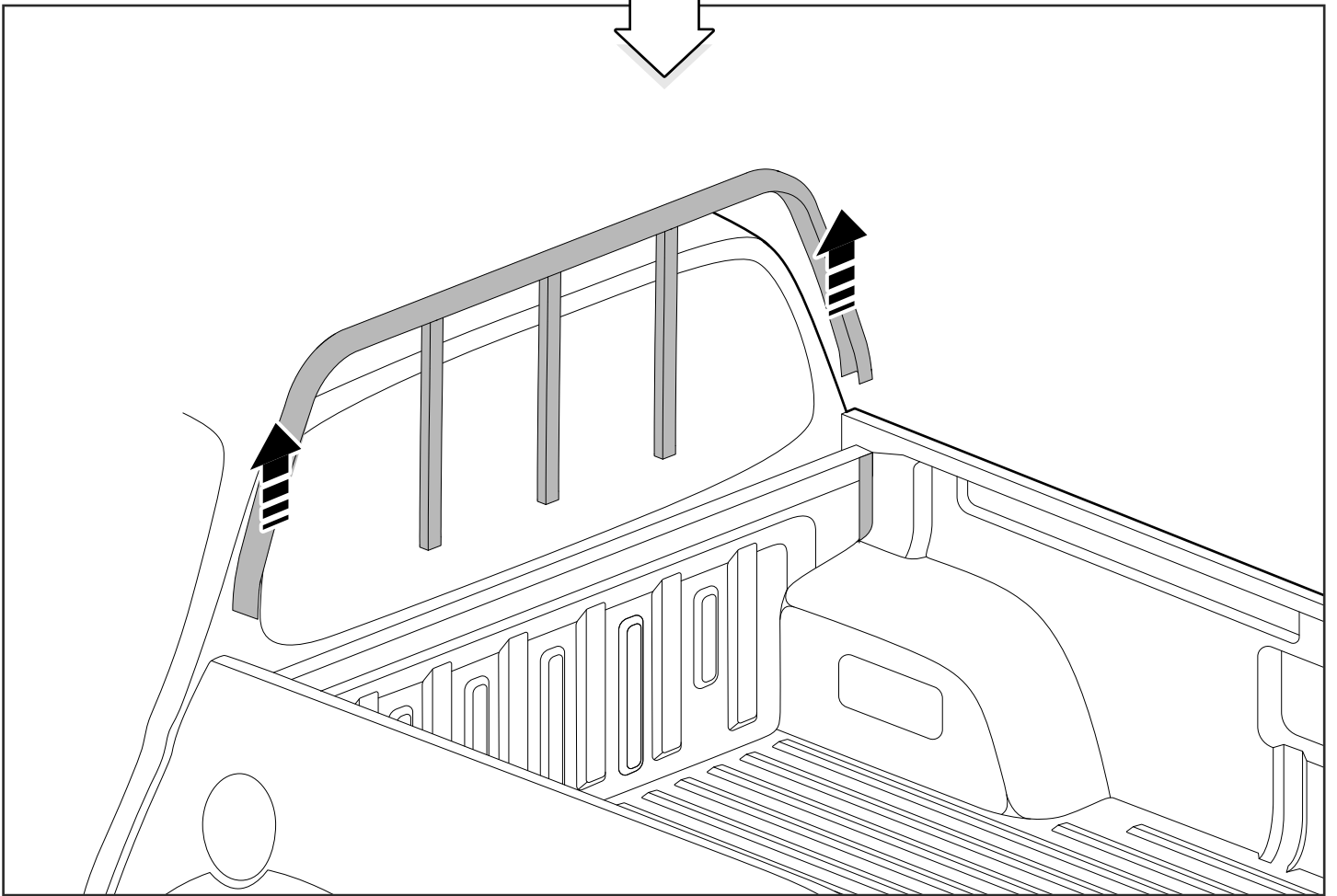
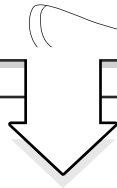
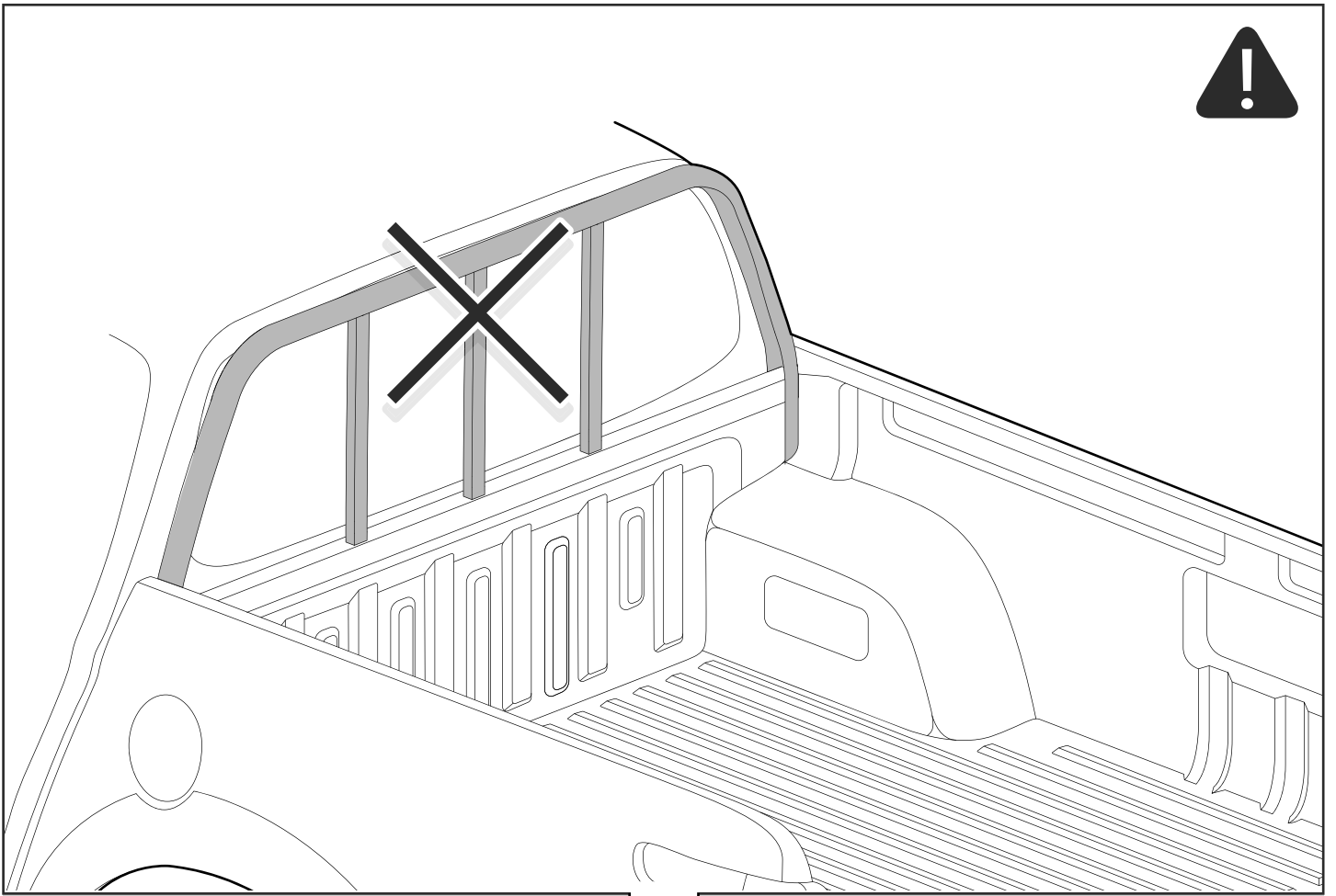


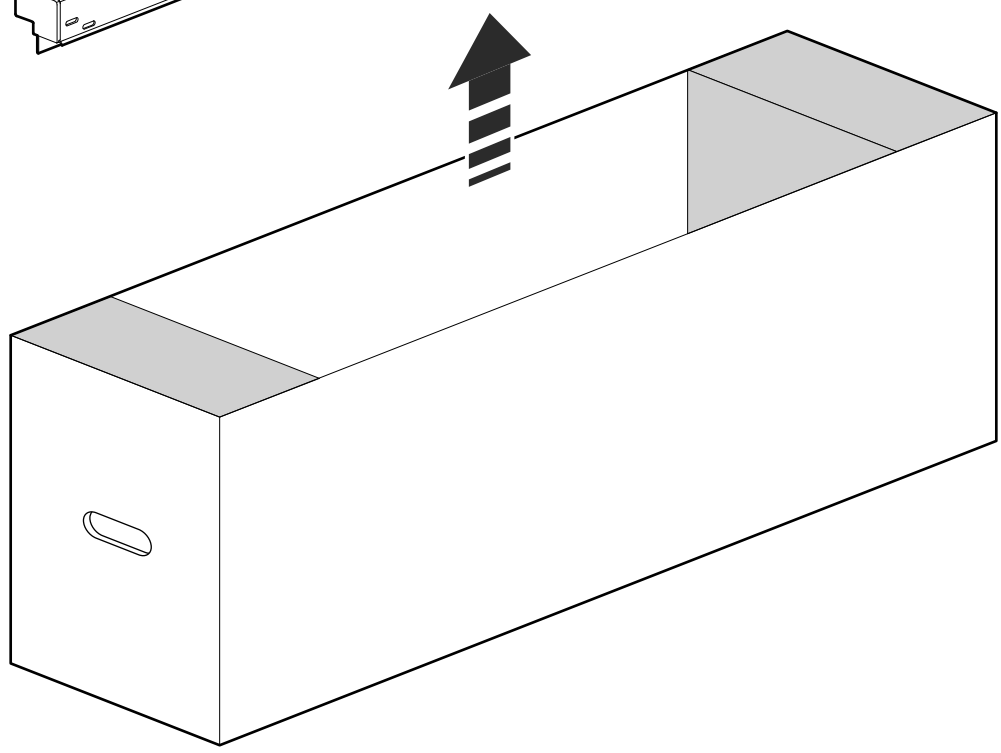
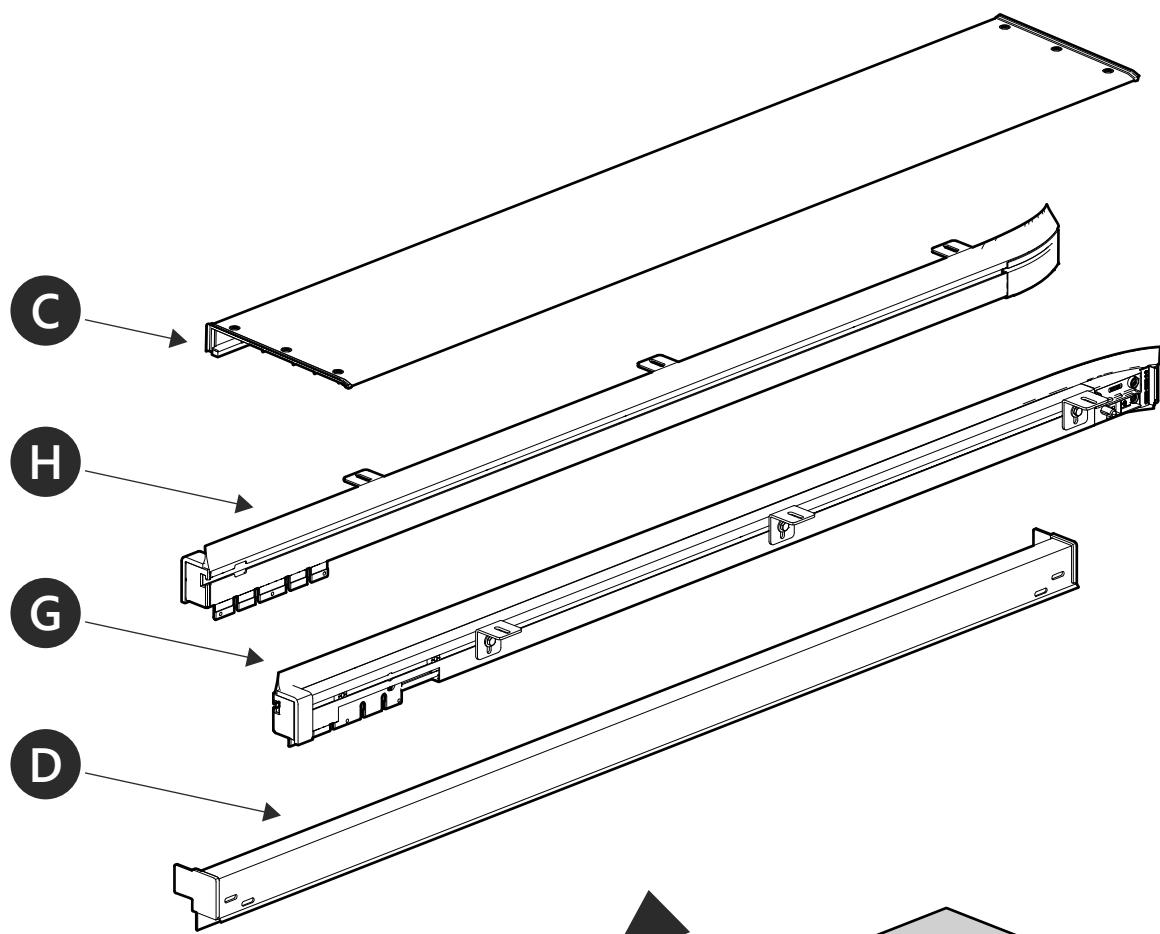
1

### Applying rust protection

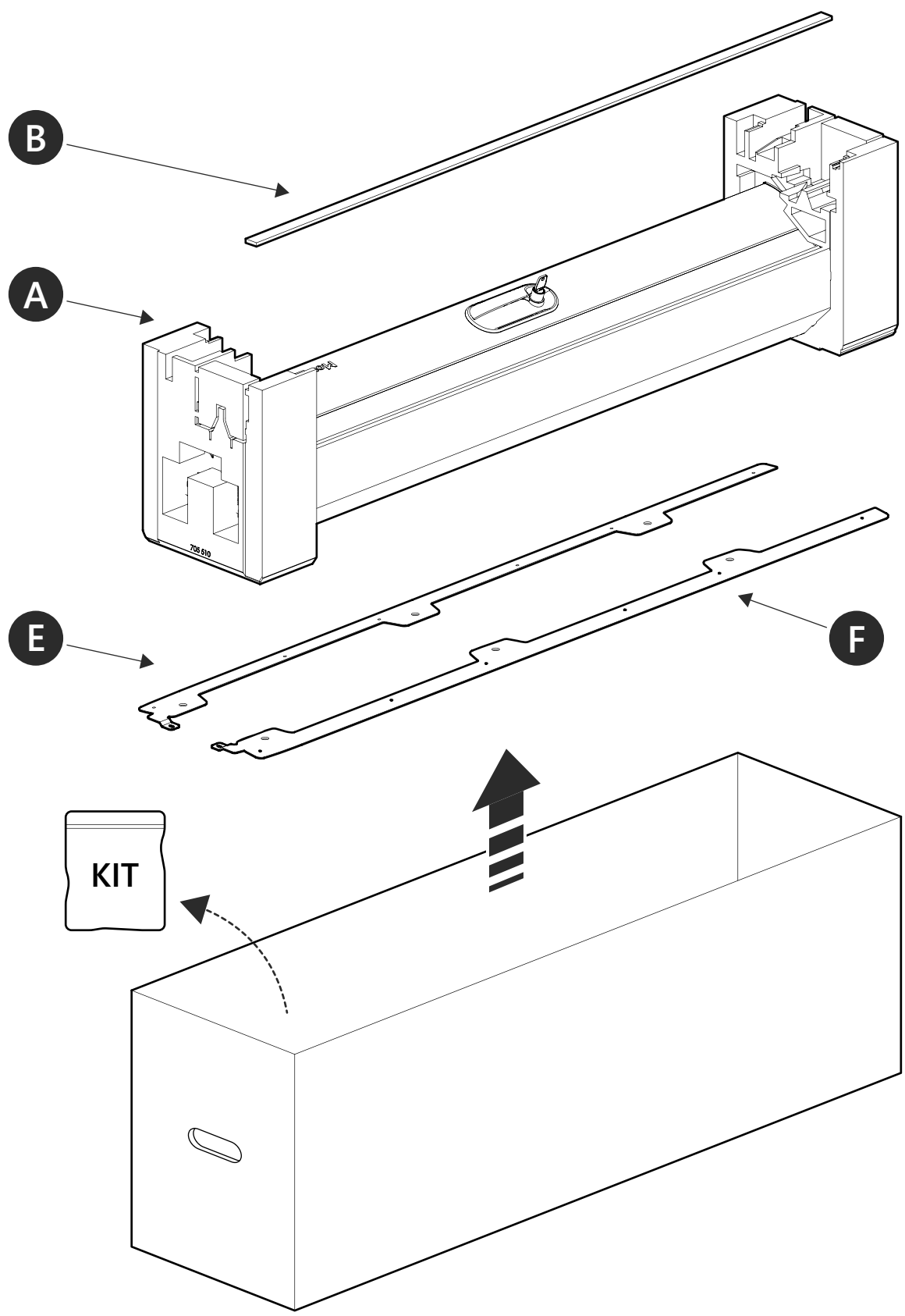


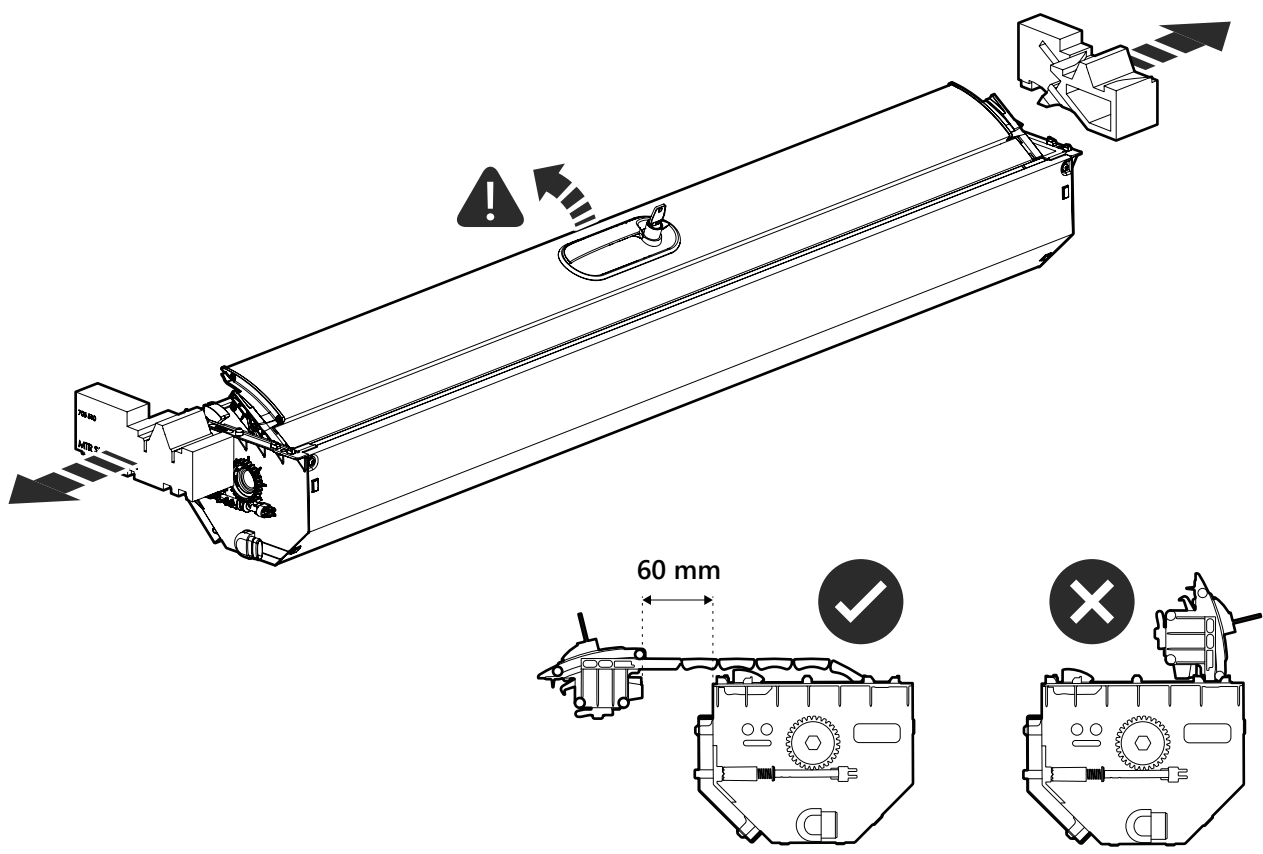
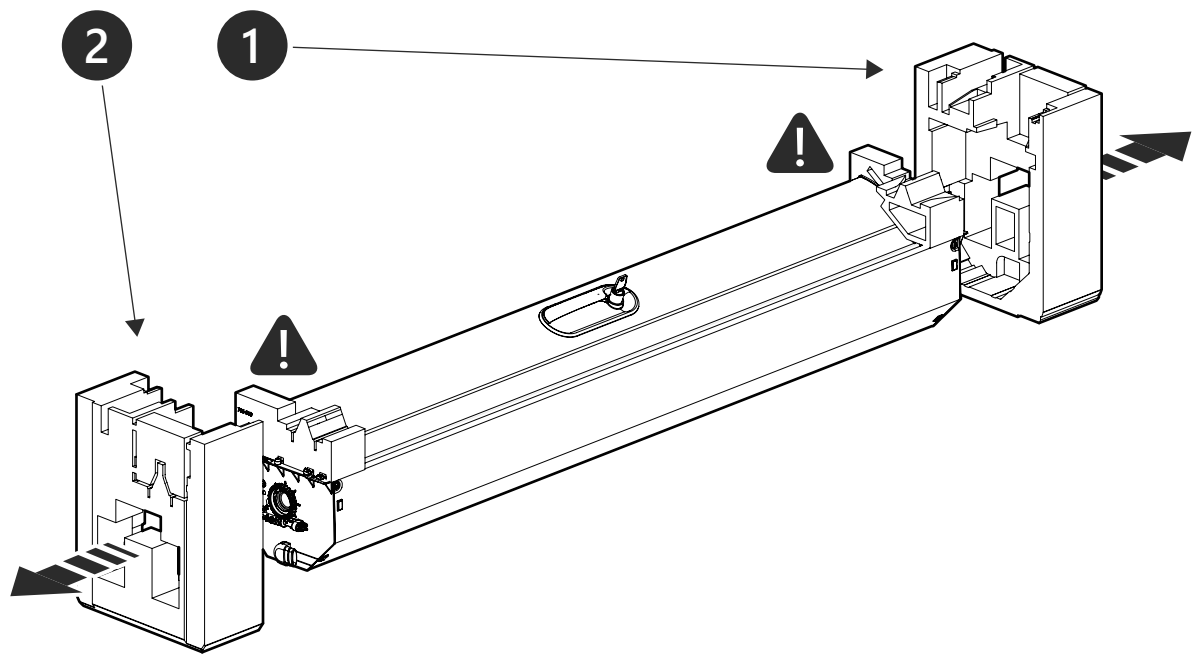


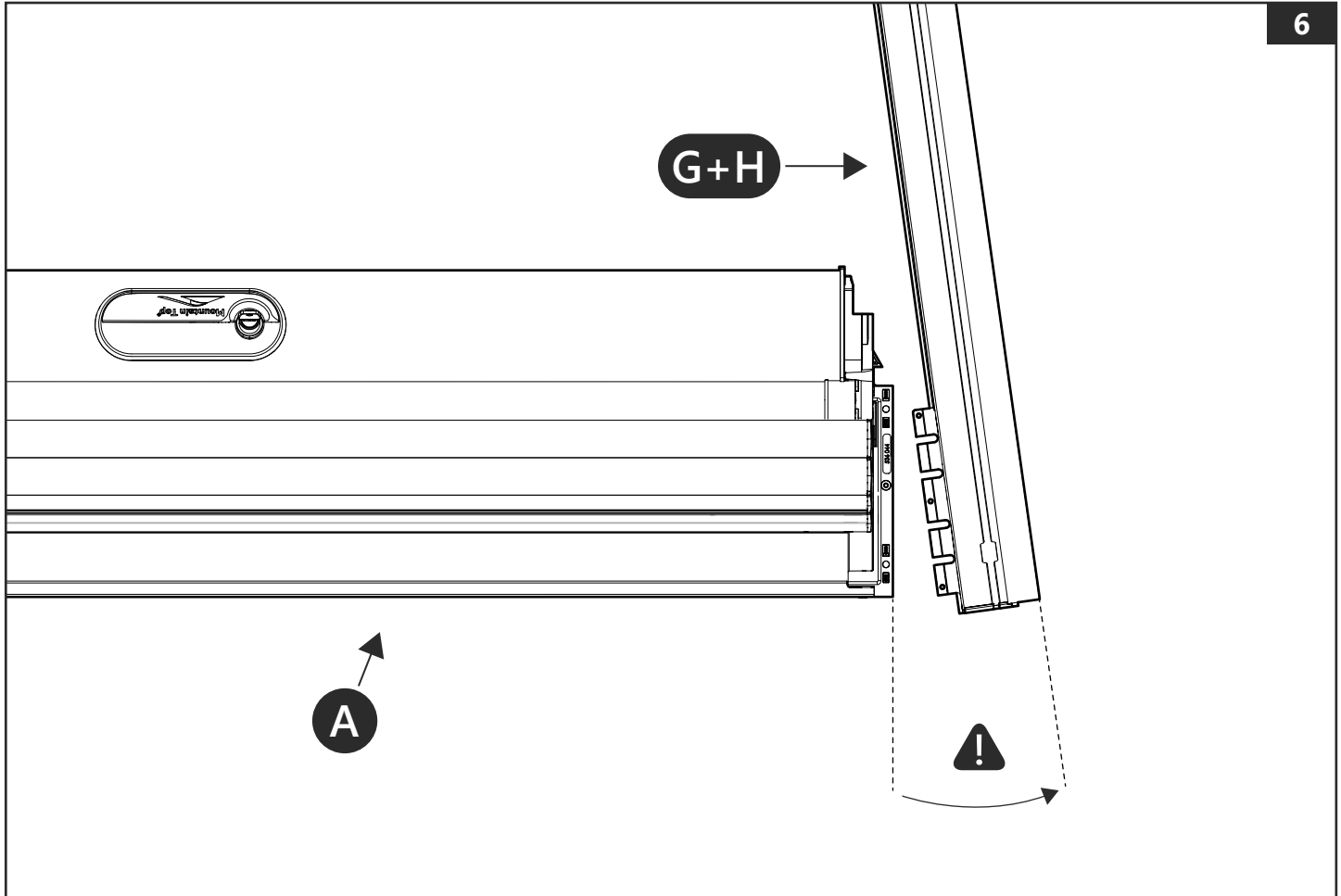
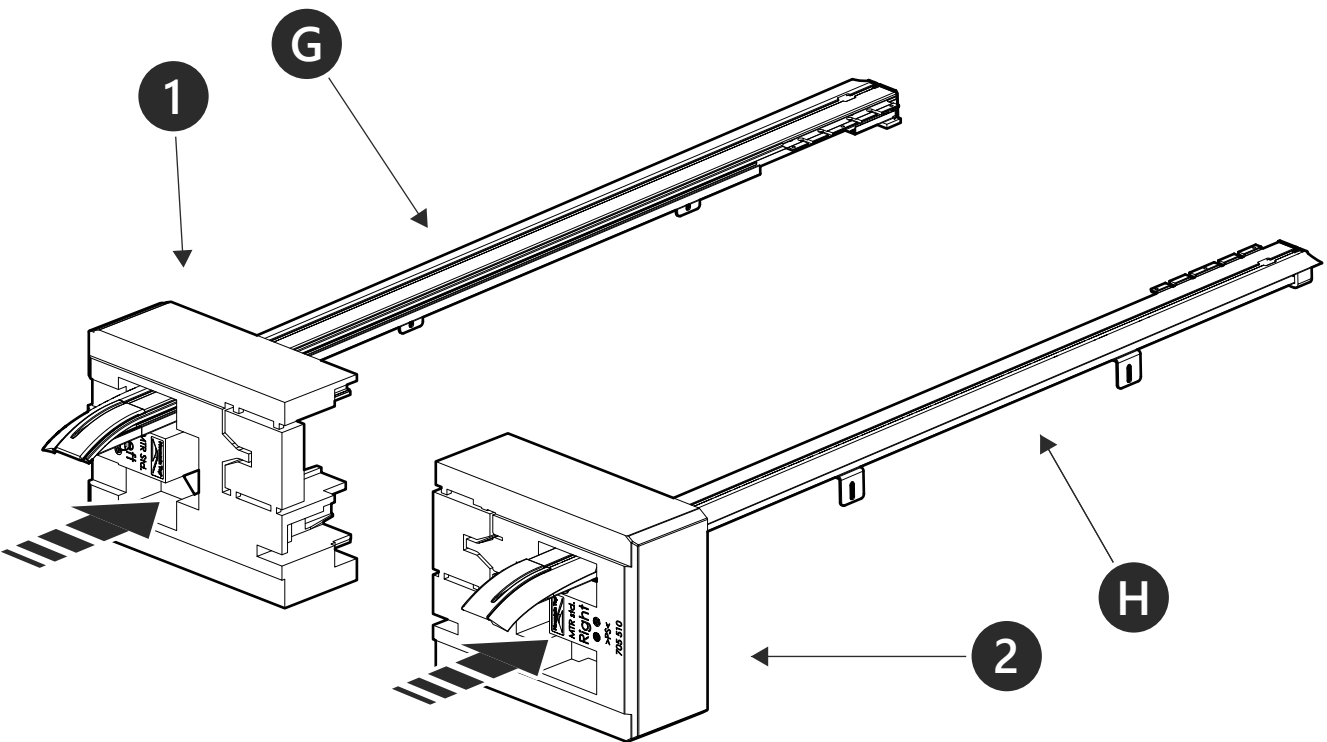


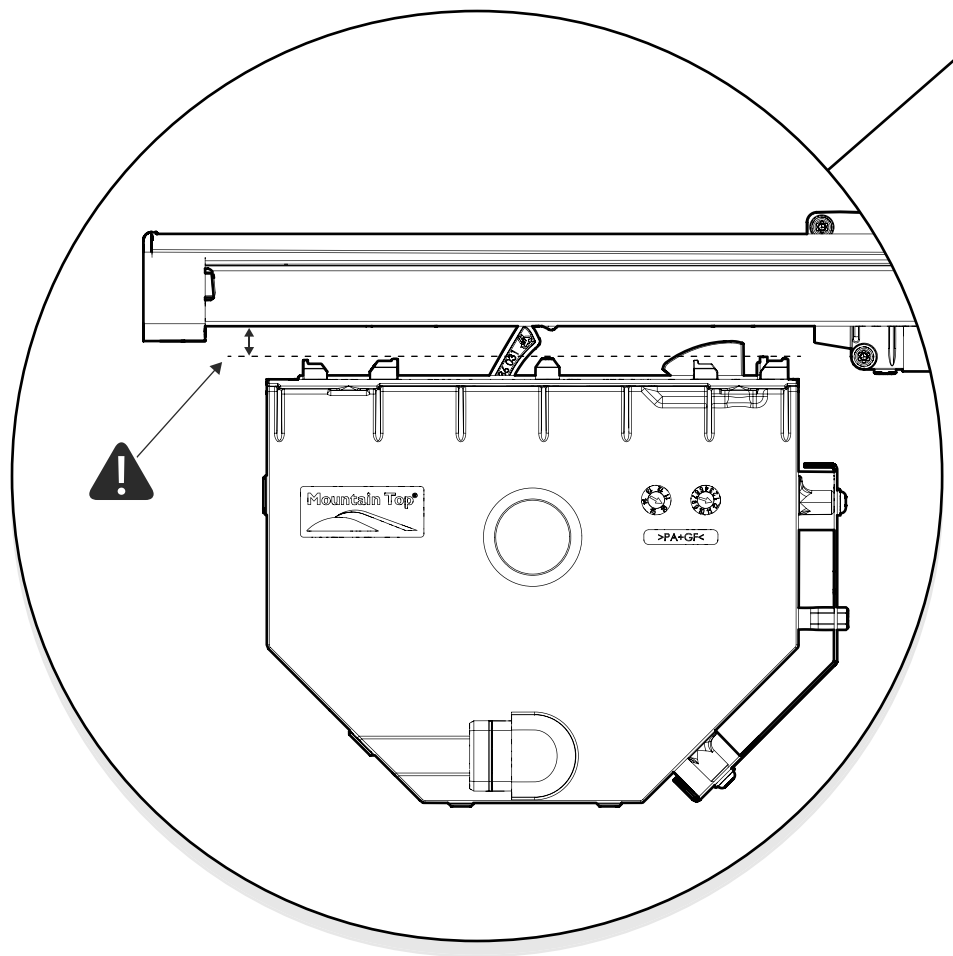
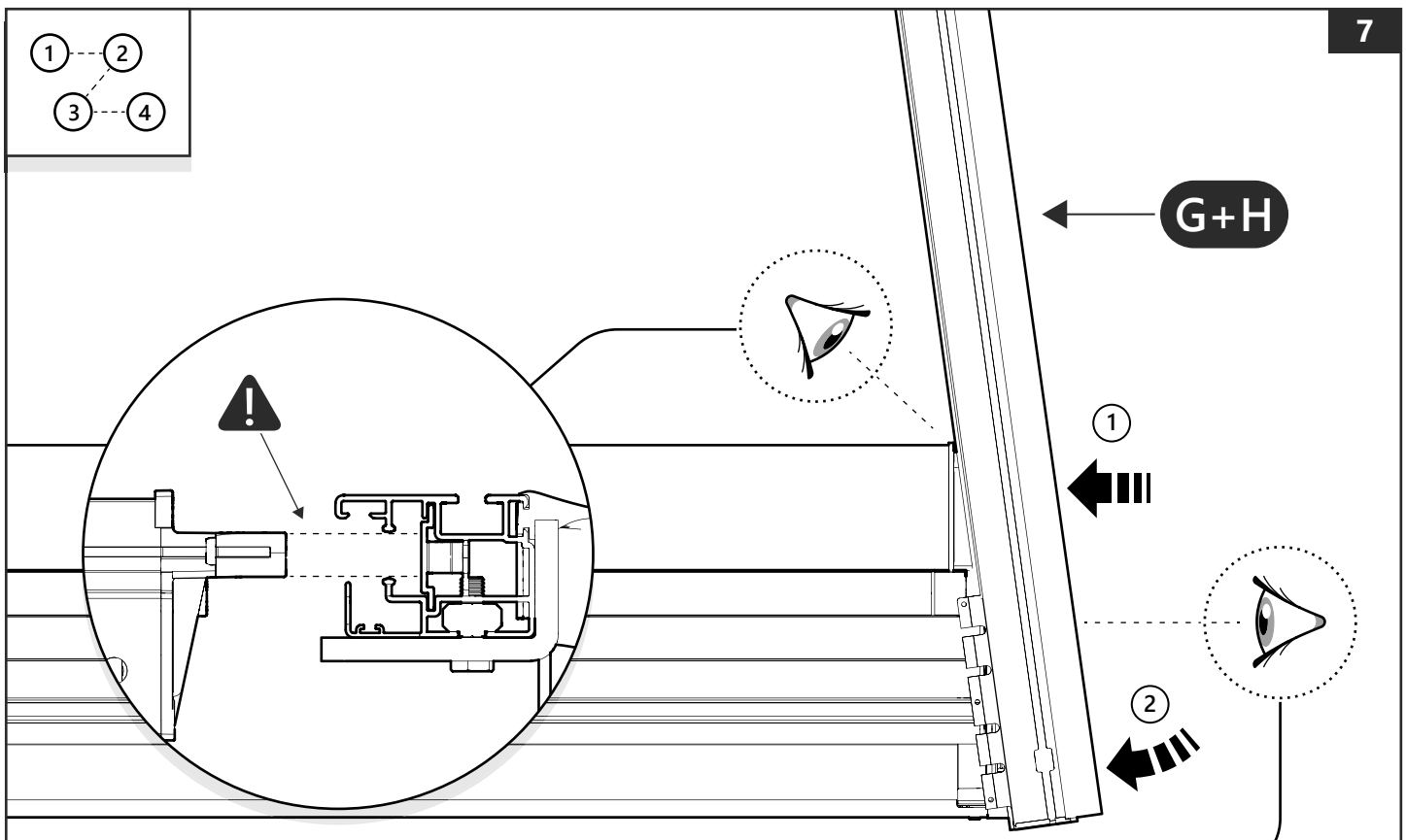
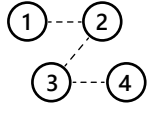


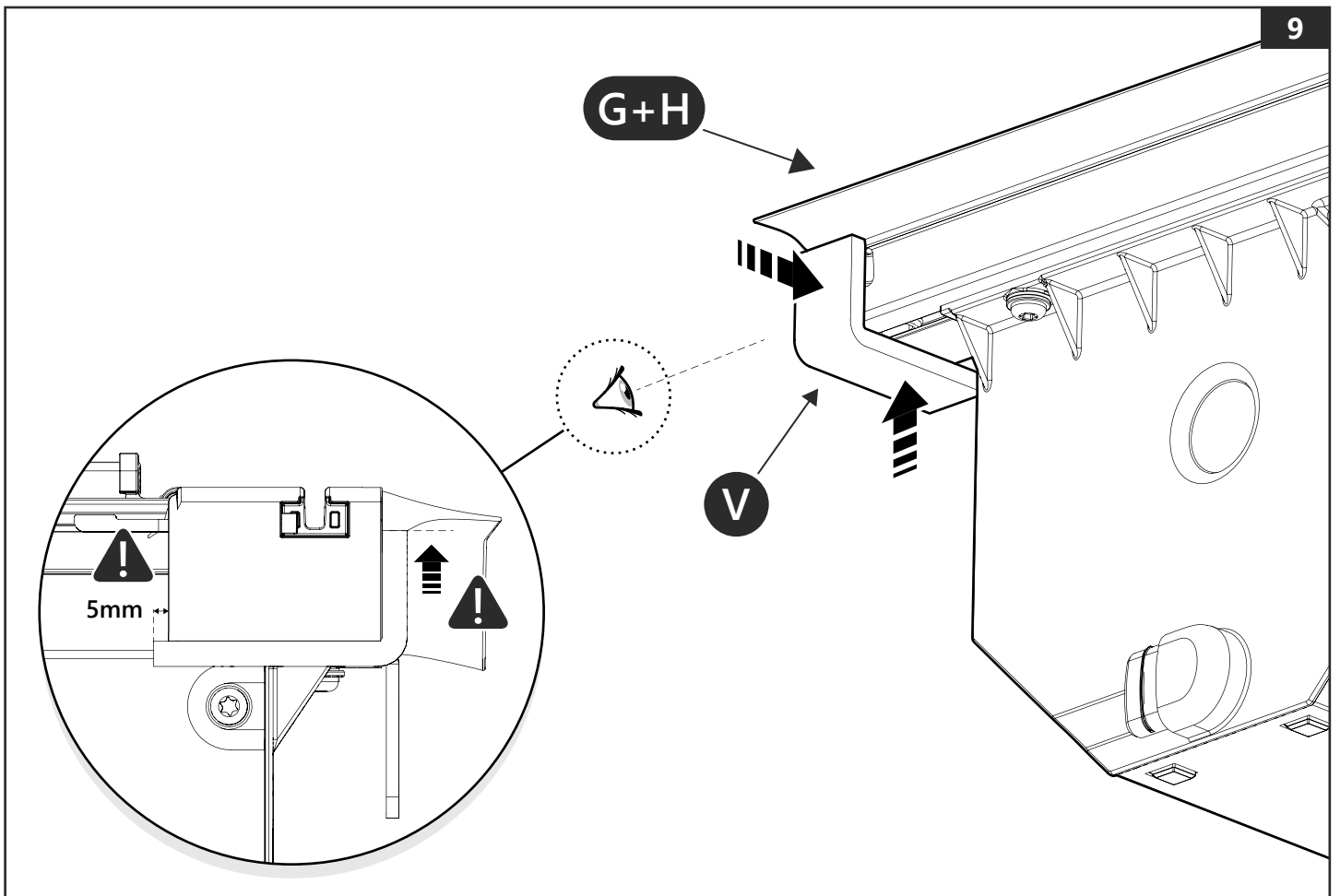
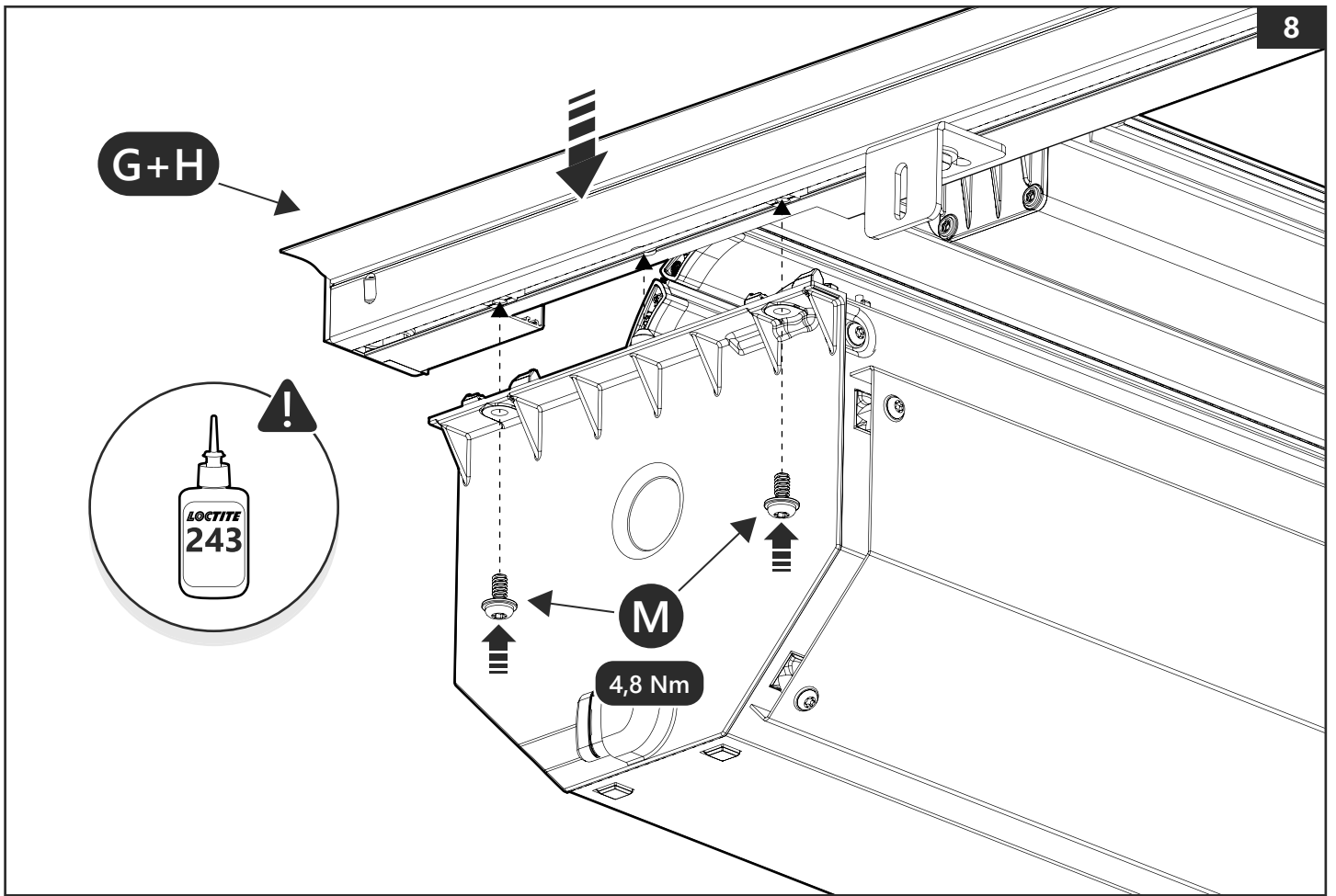


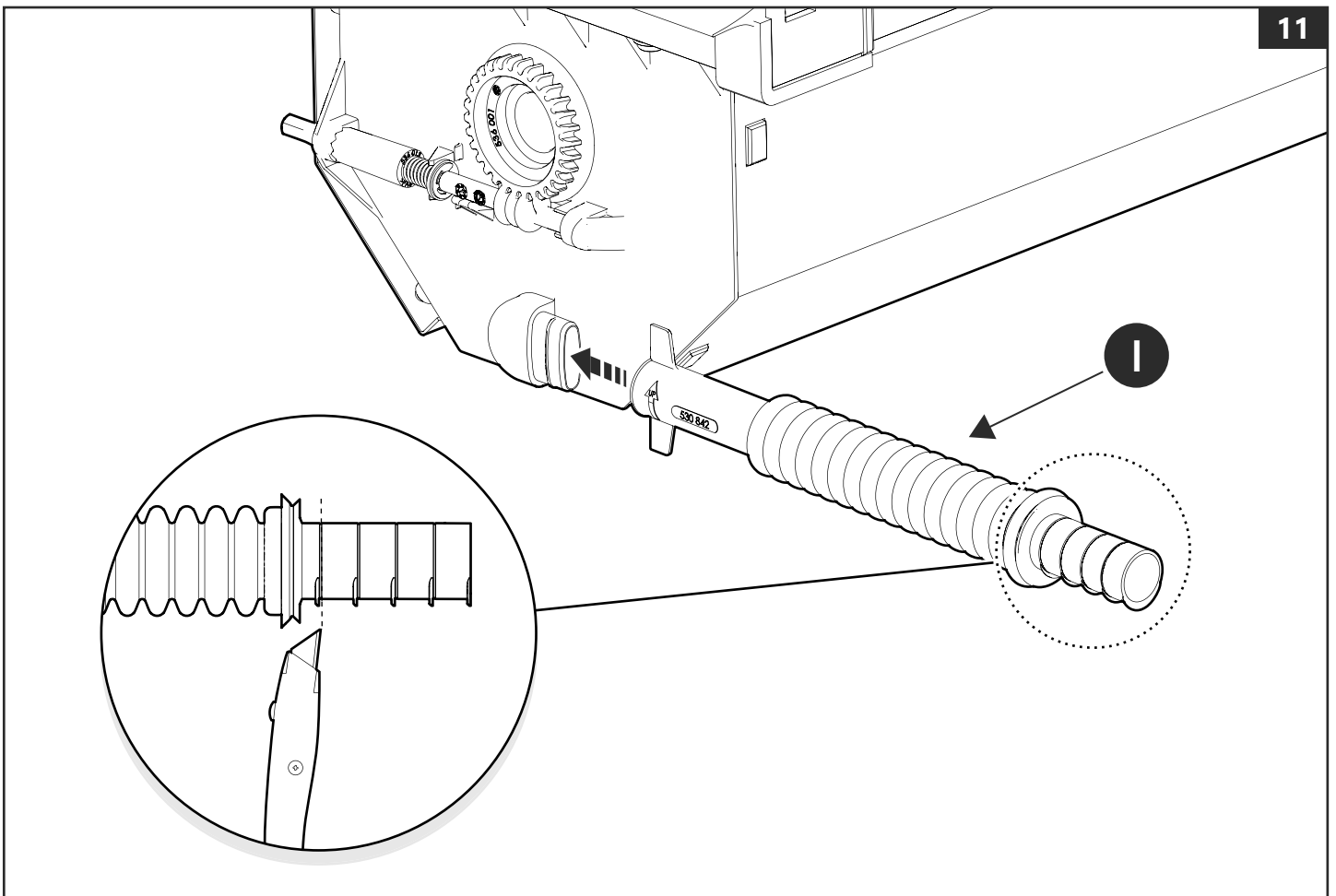
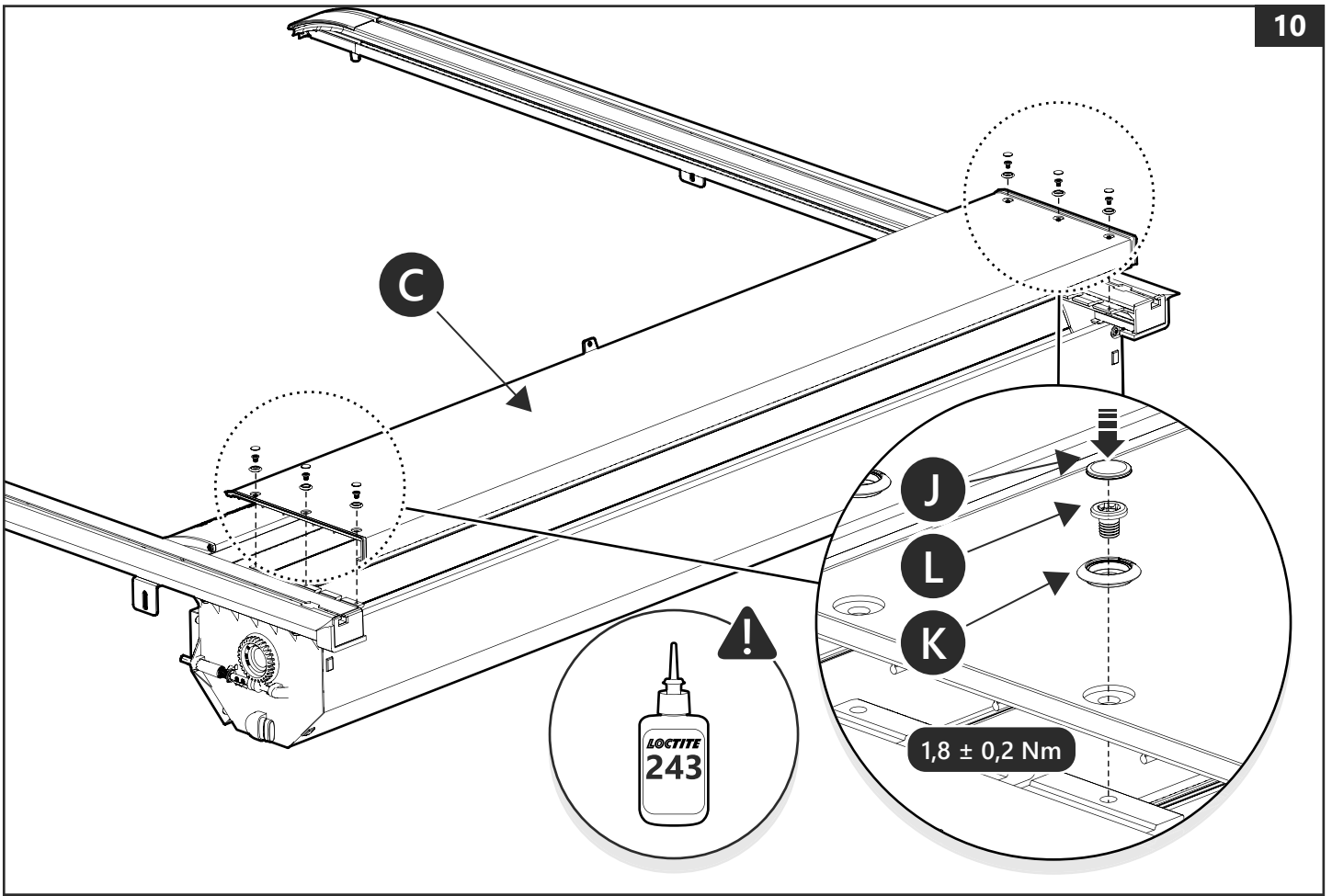


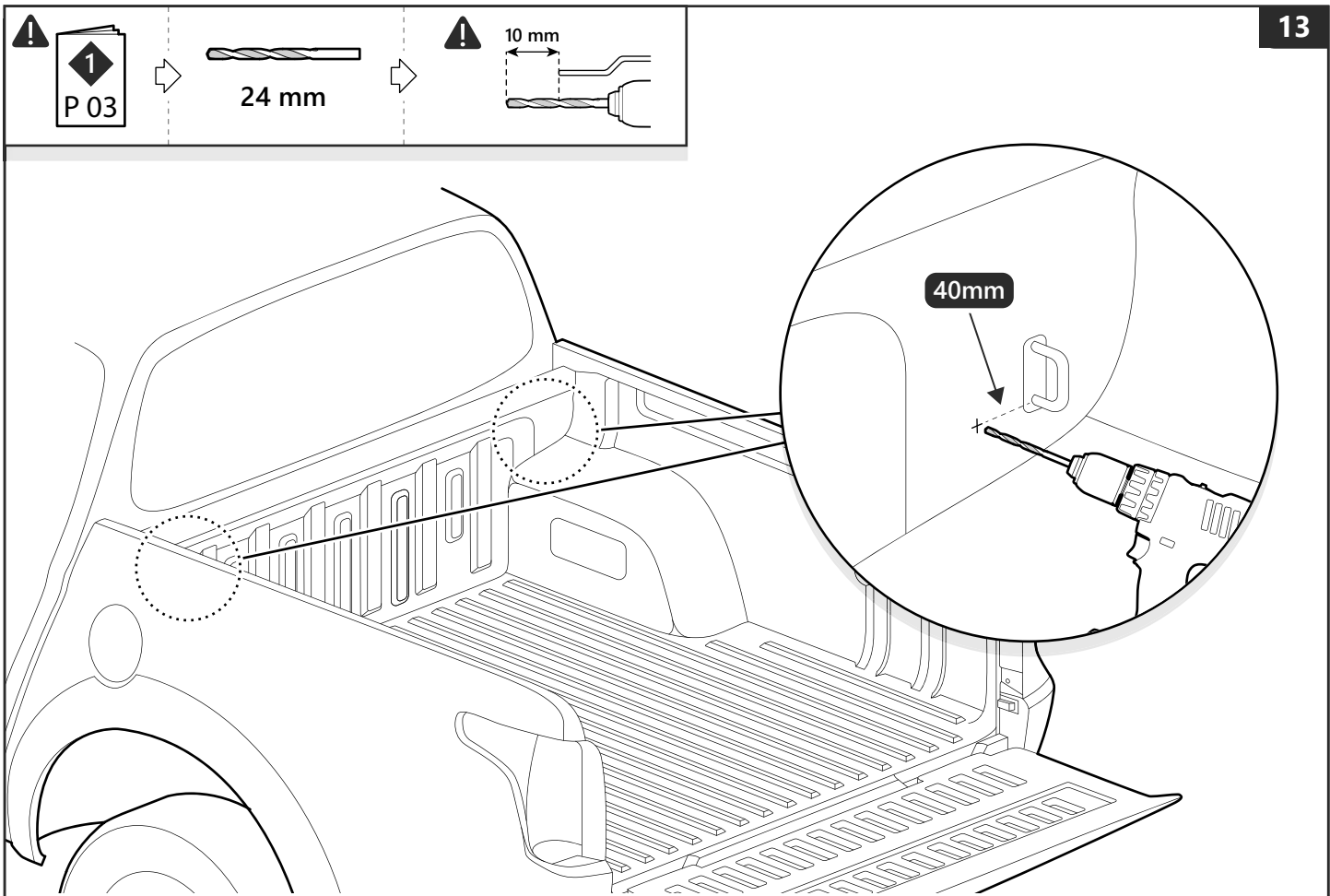
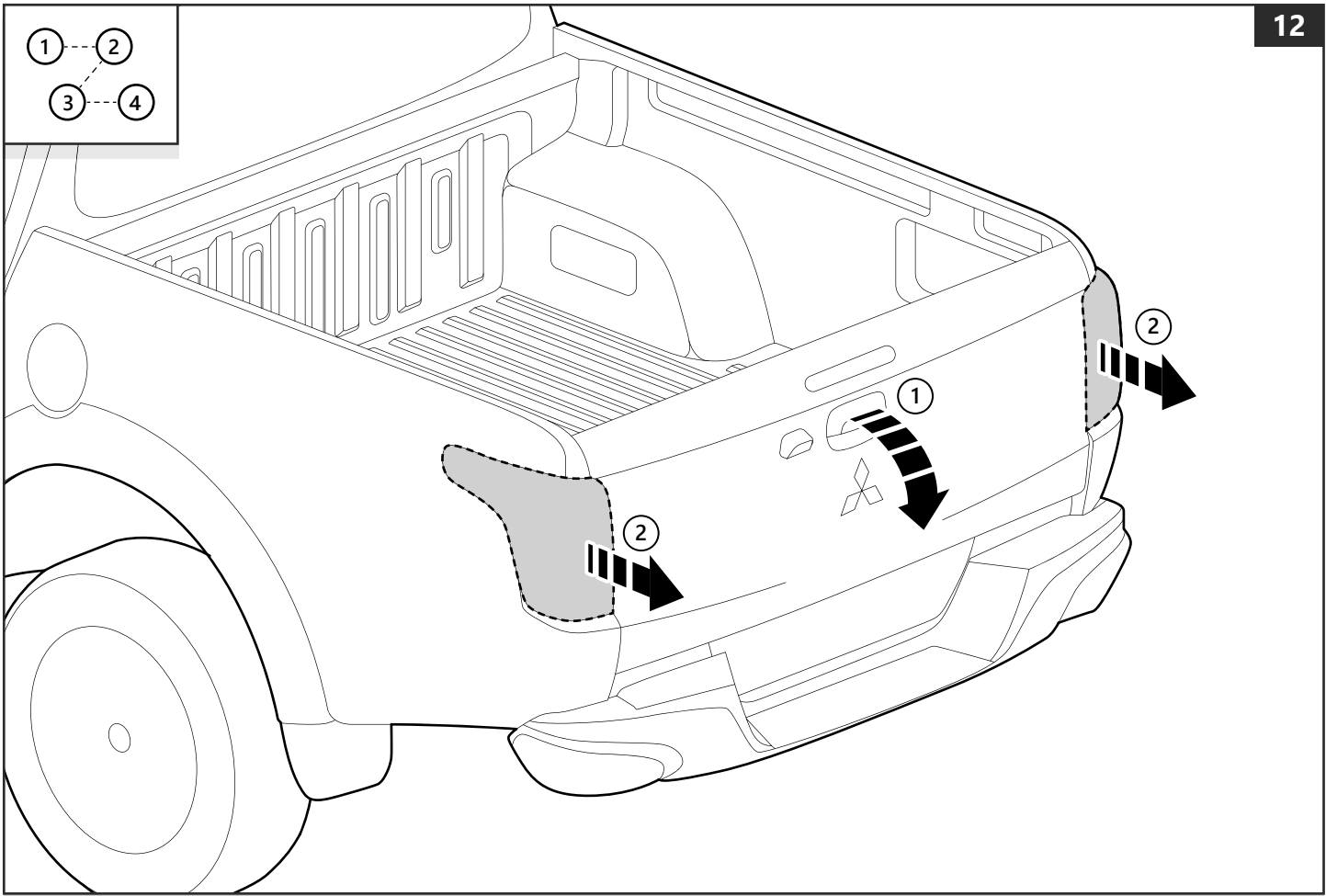


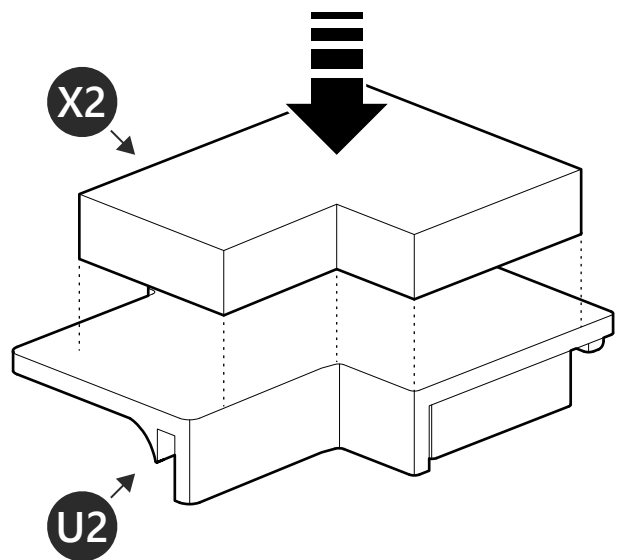
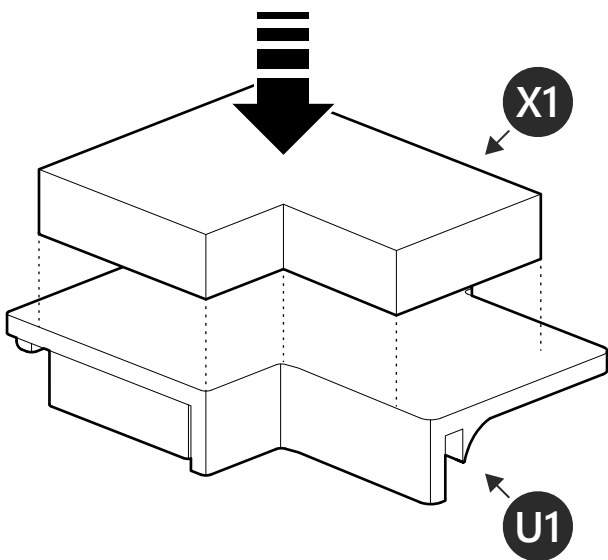
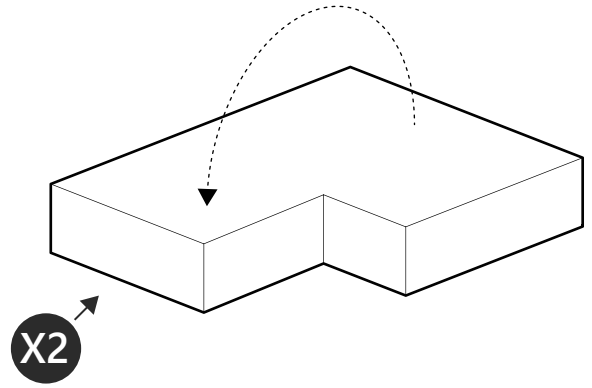
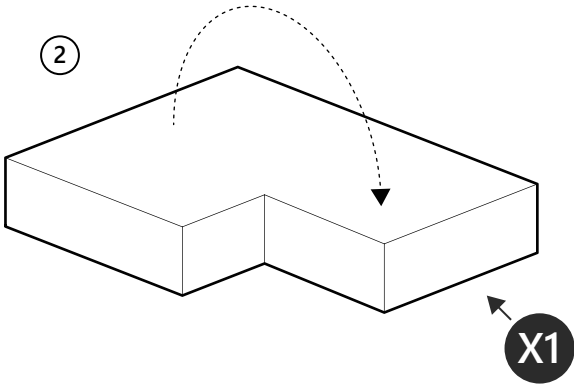
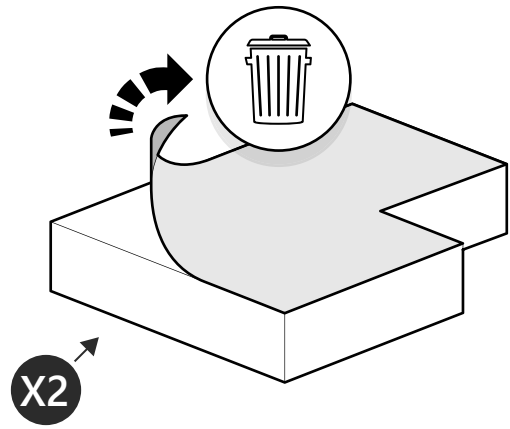
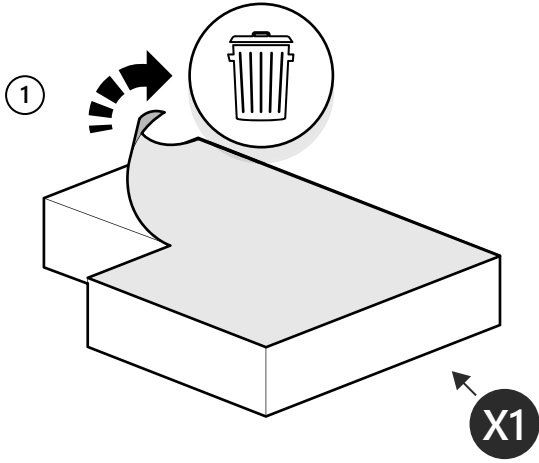




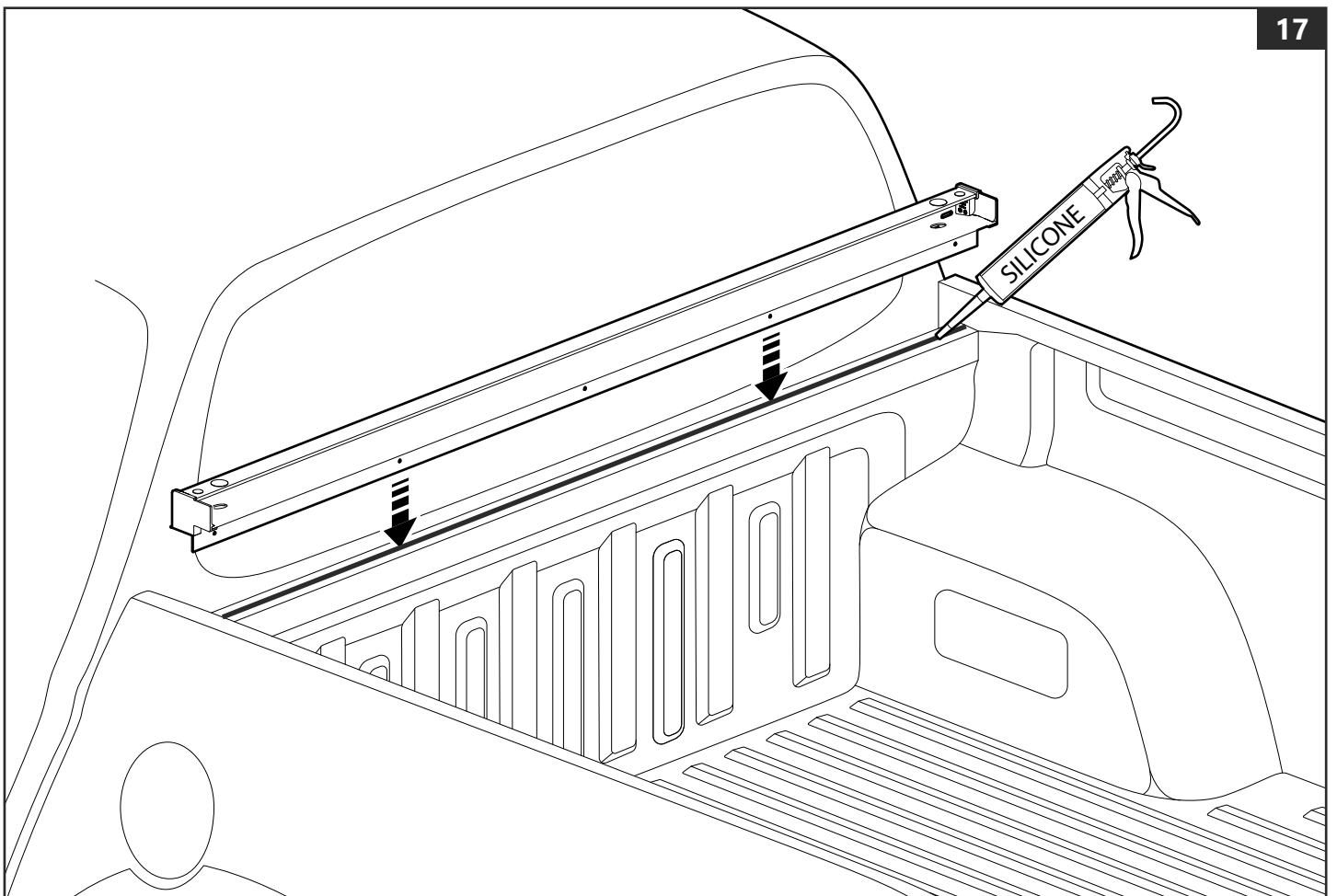
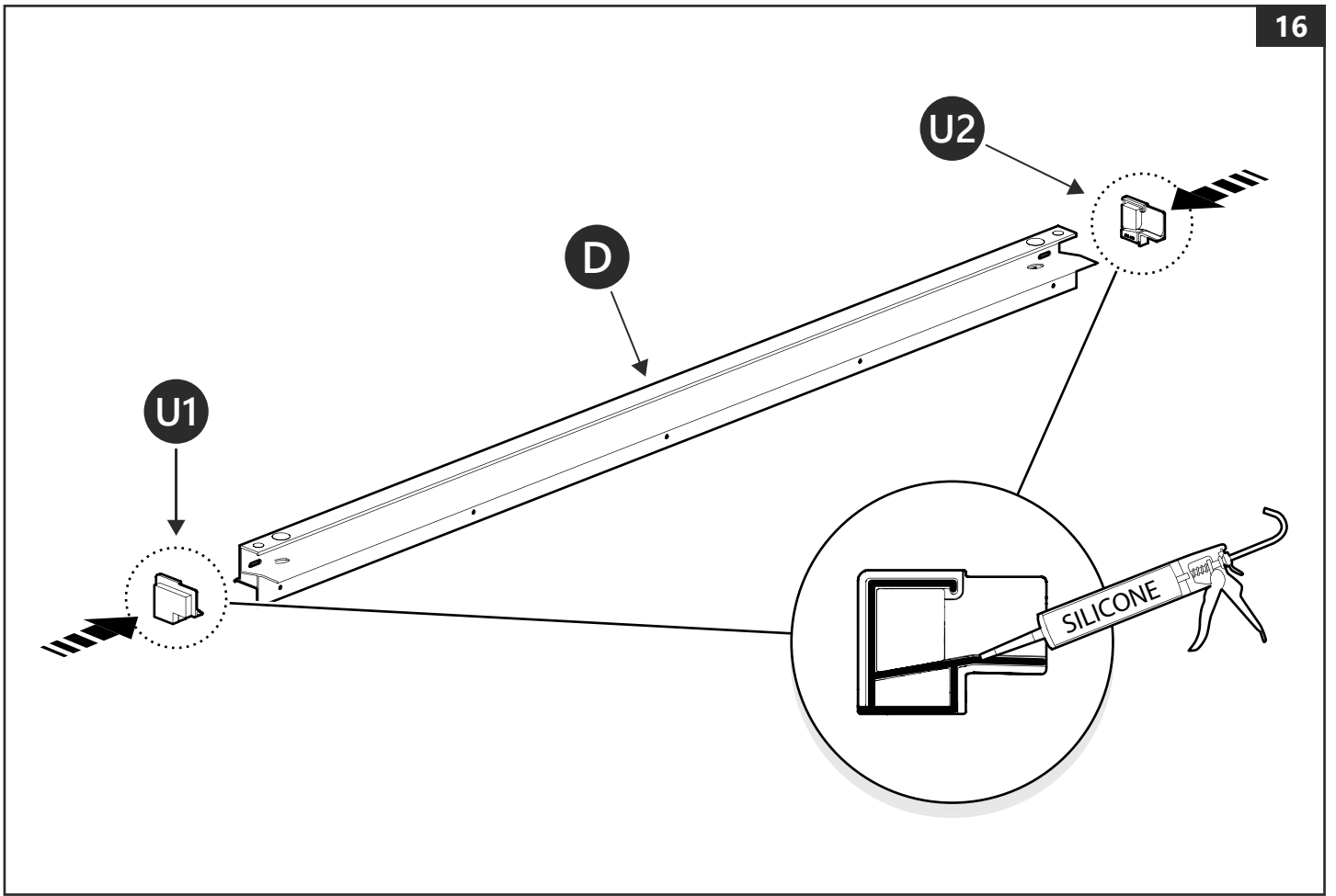


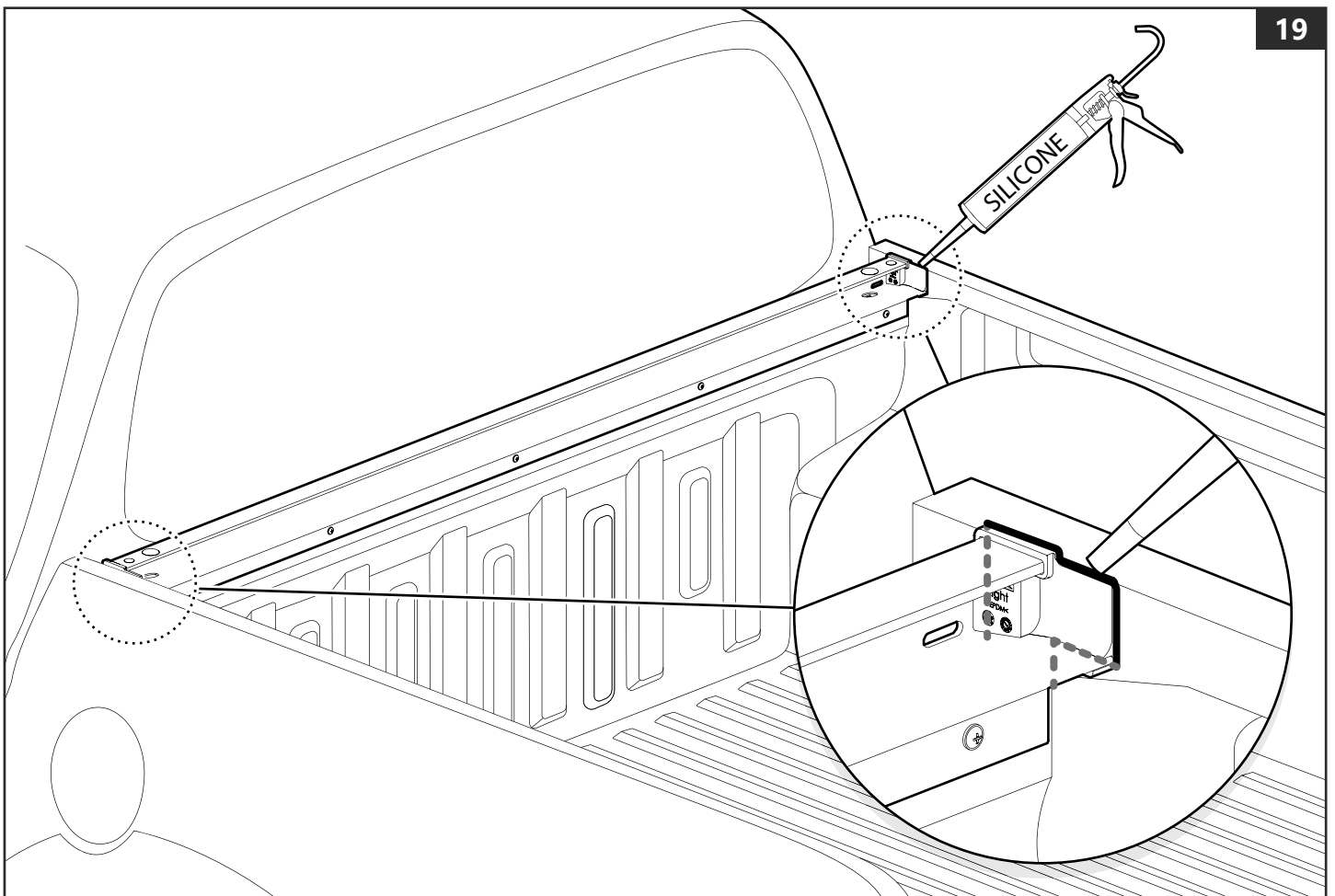
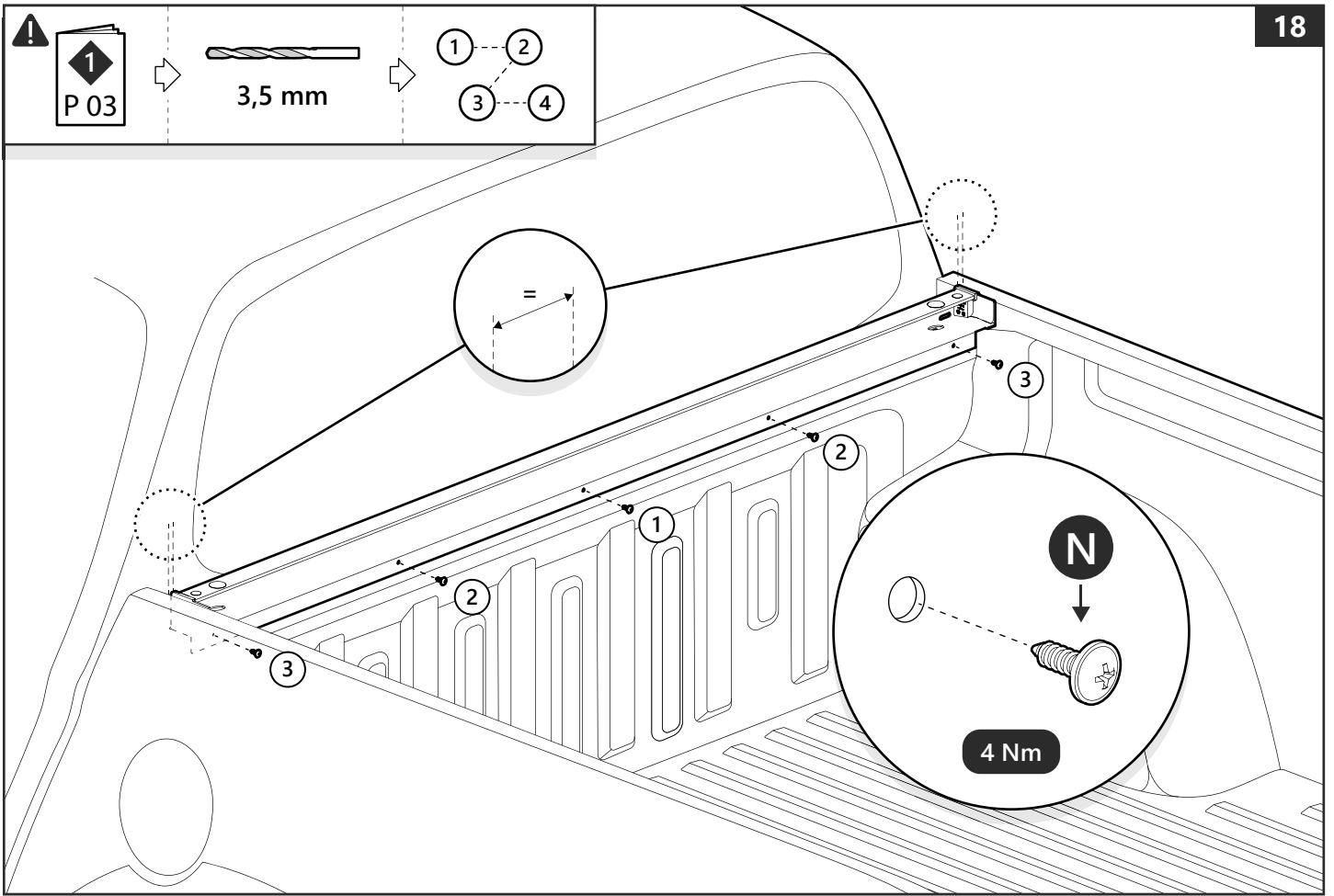


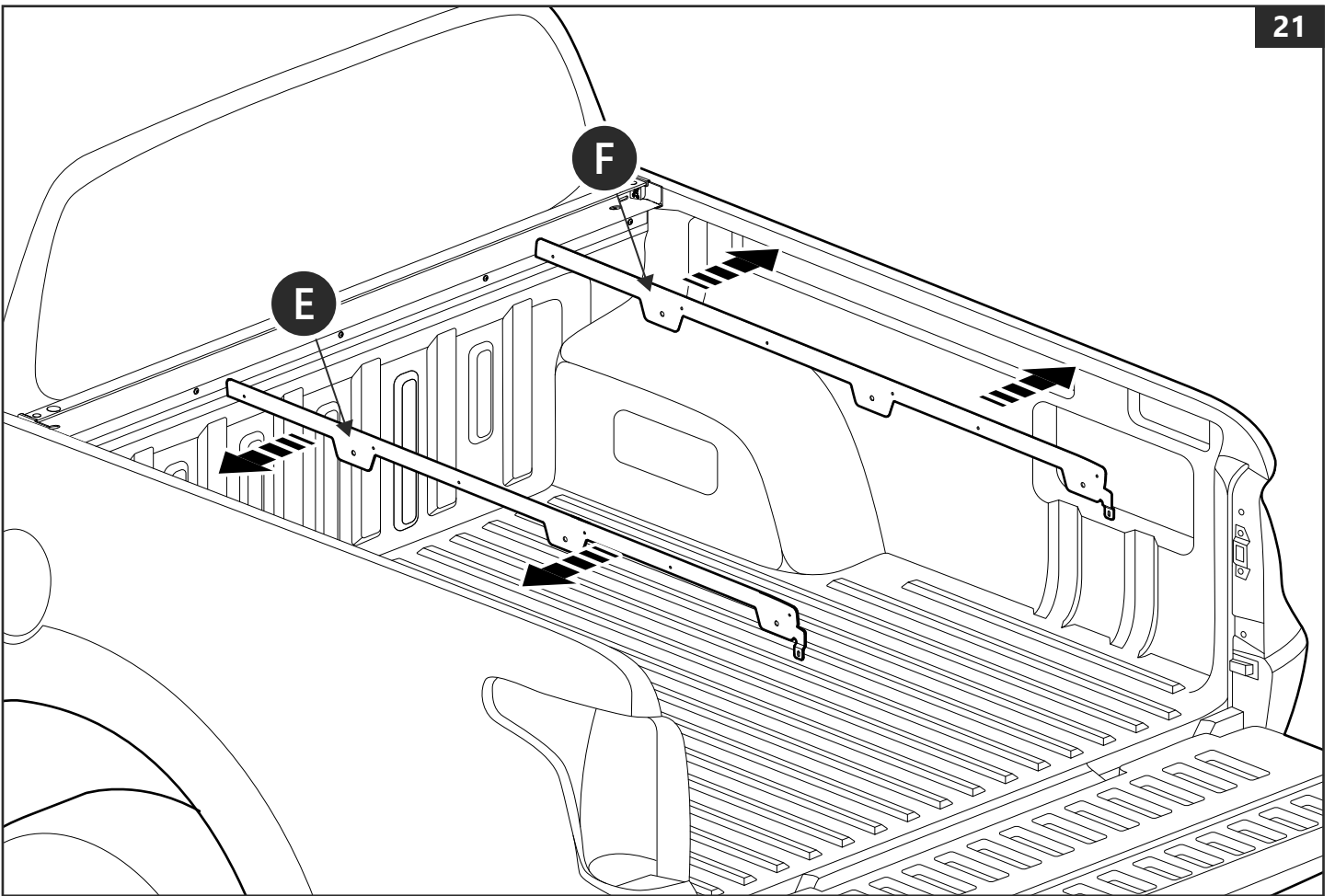
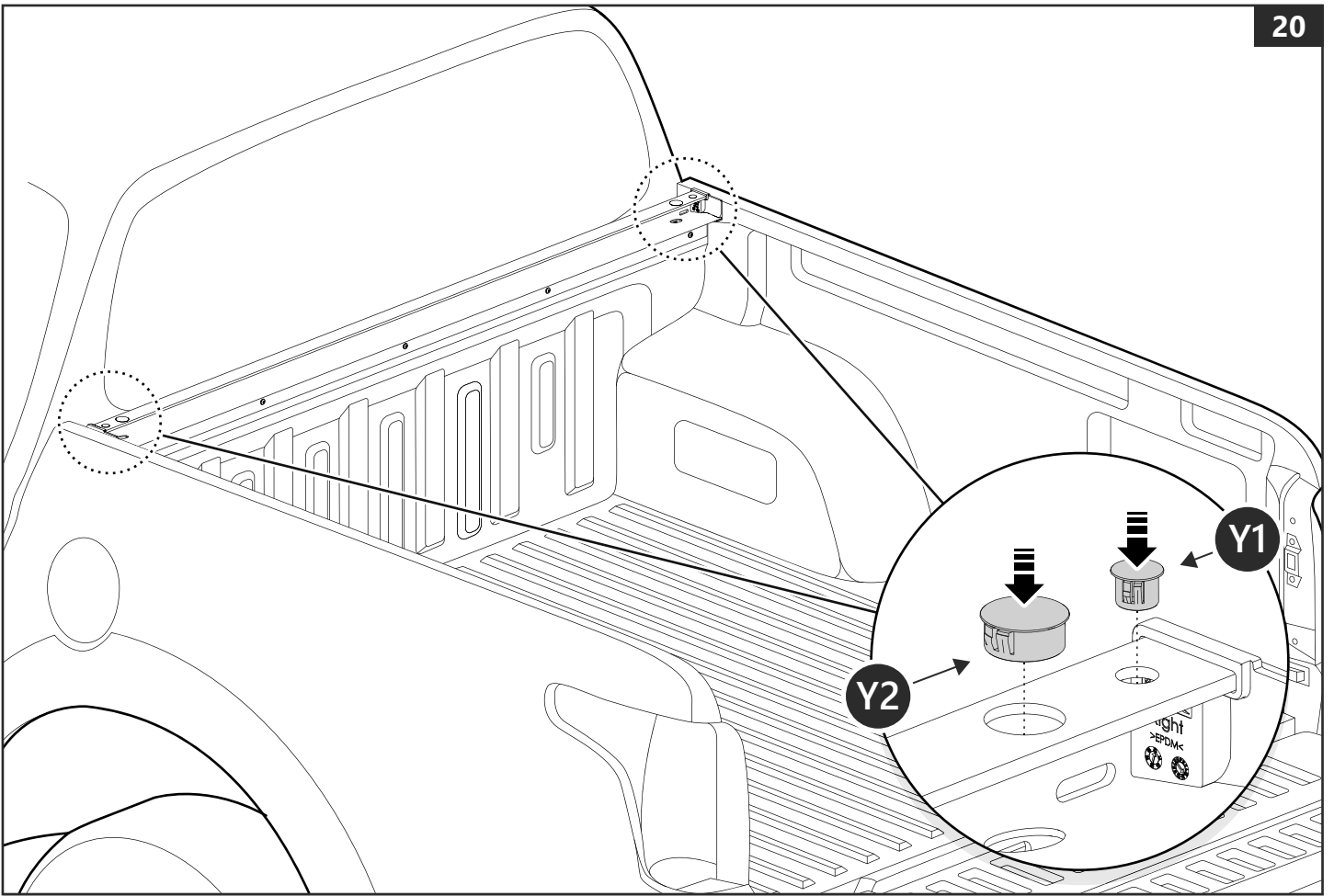


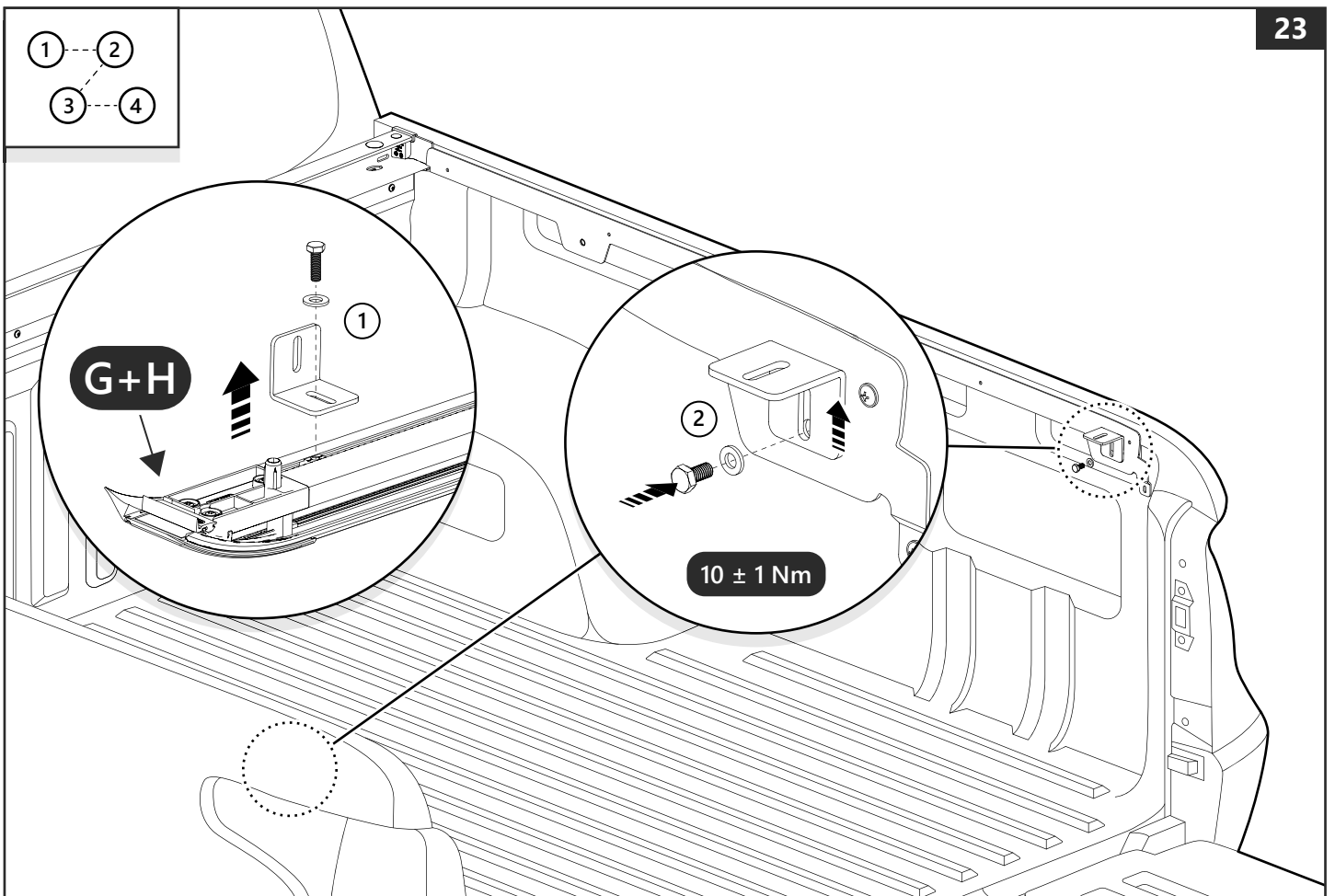
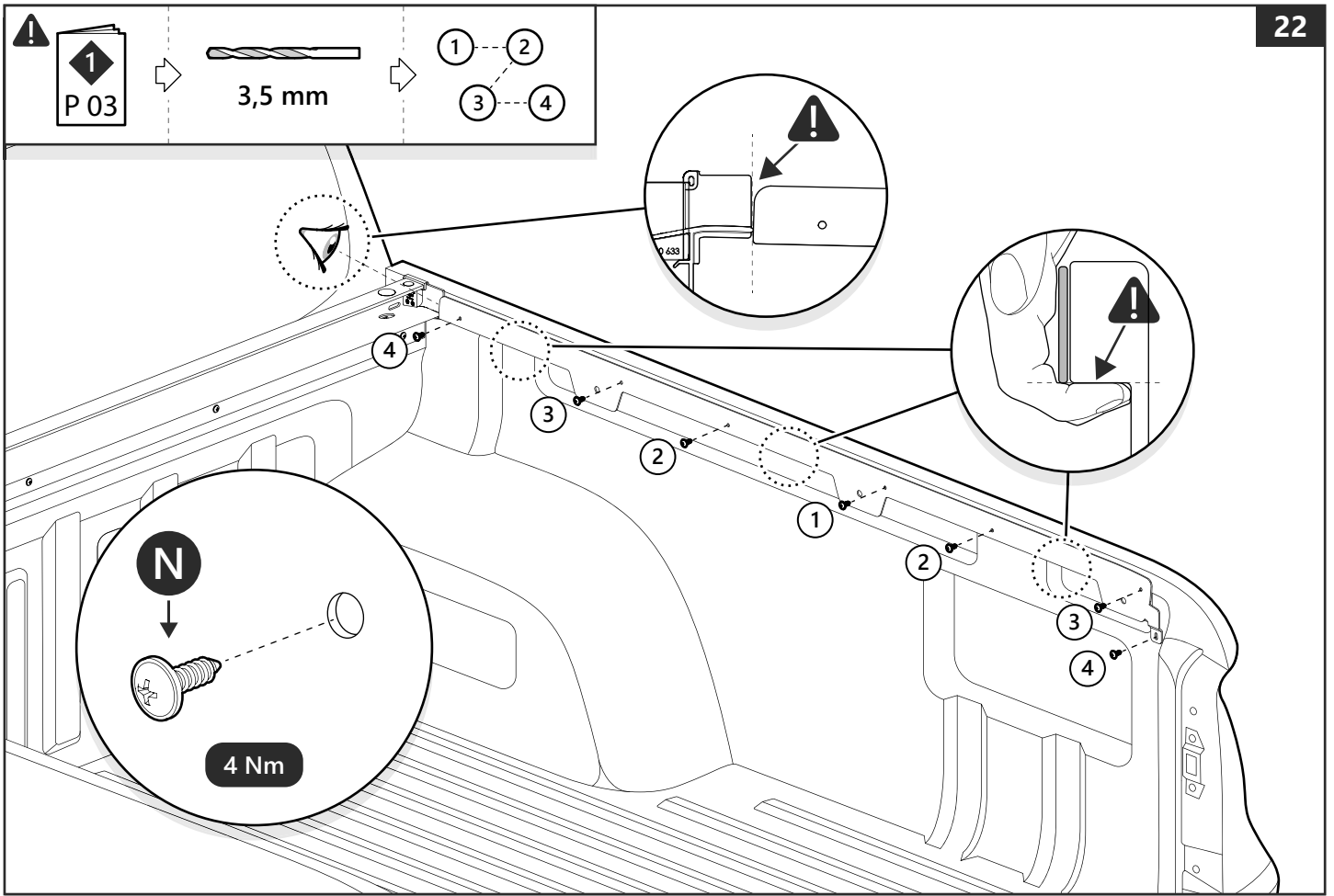


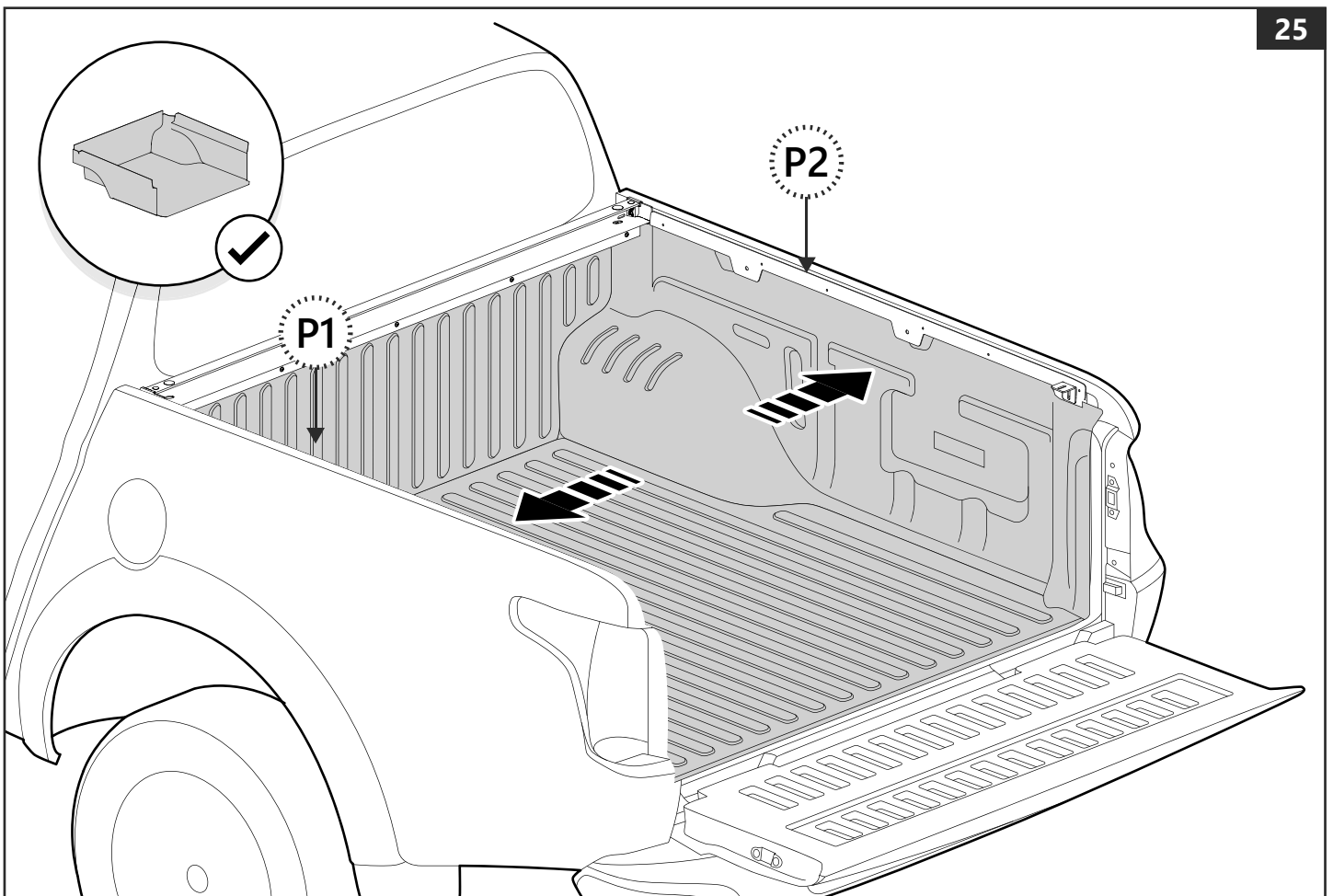
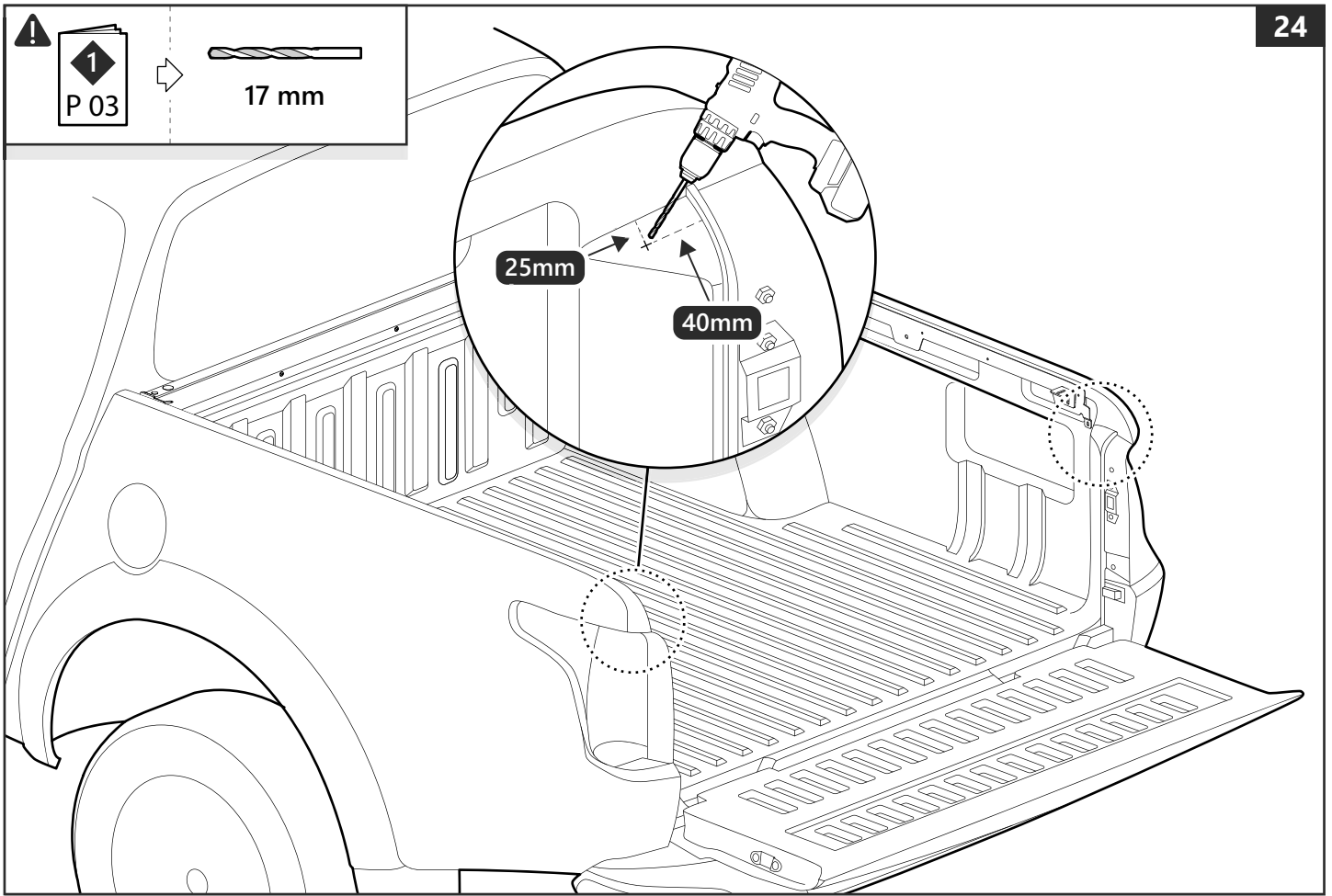


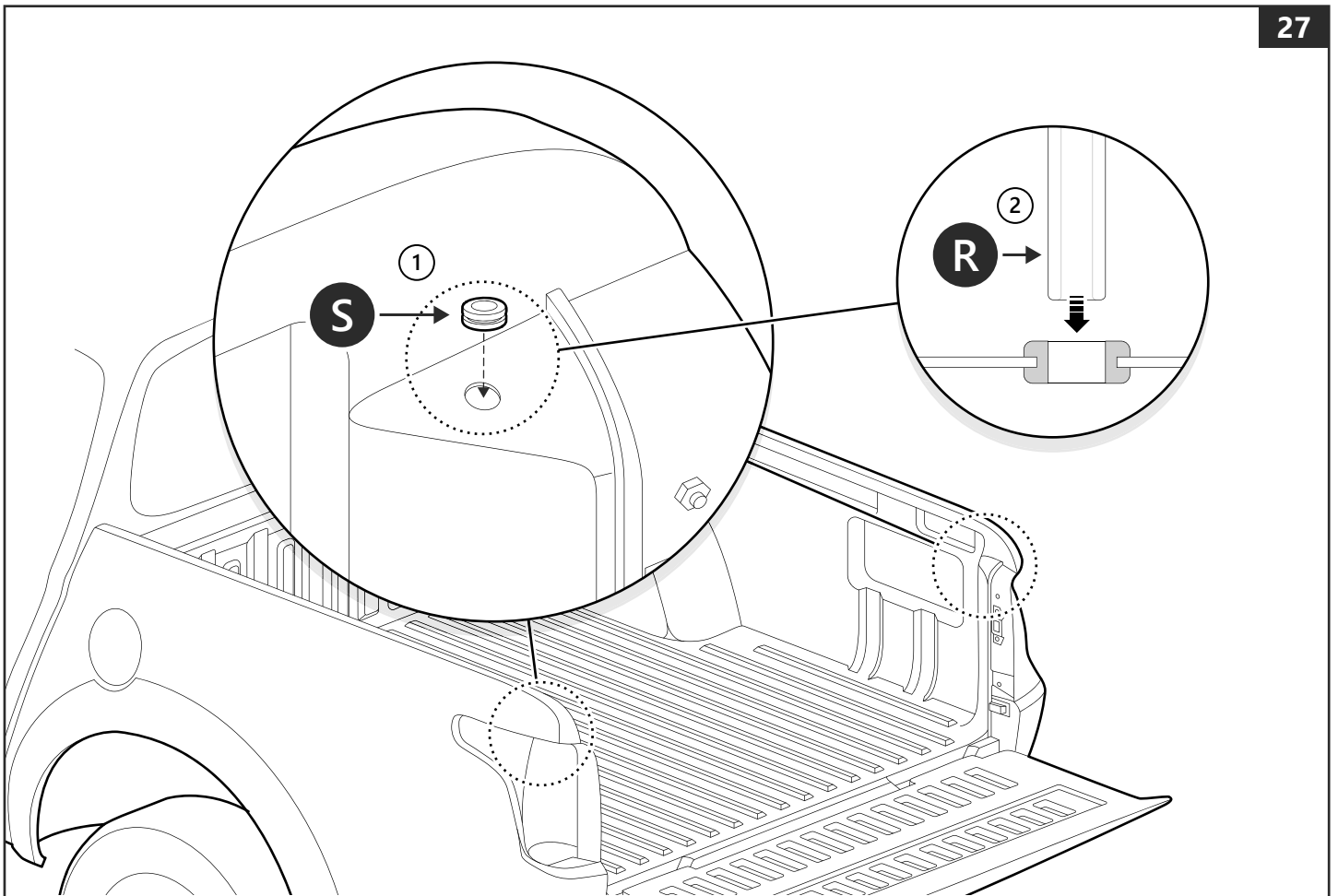
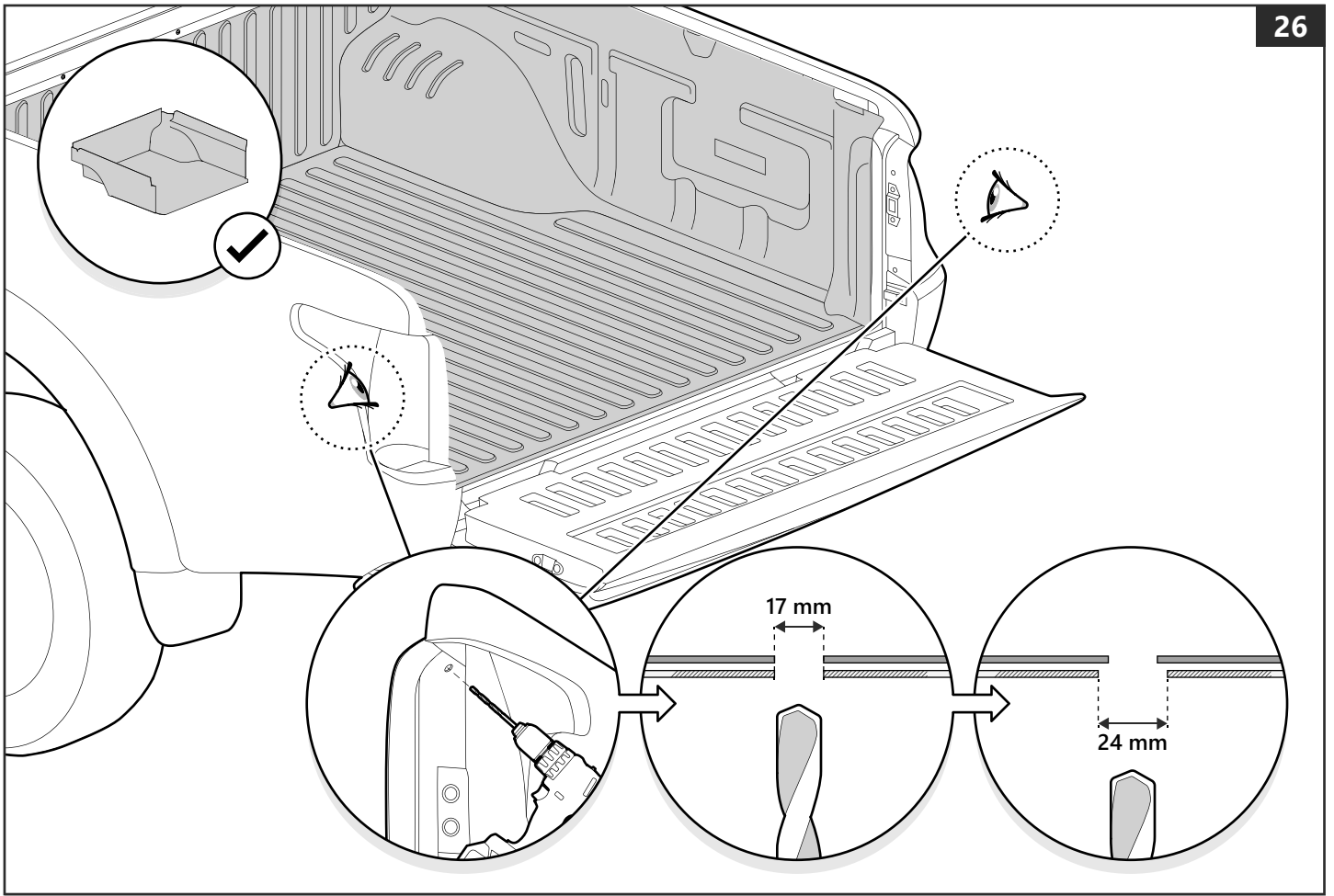


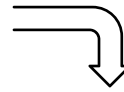
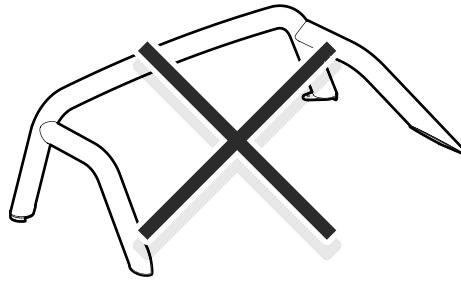
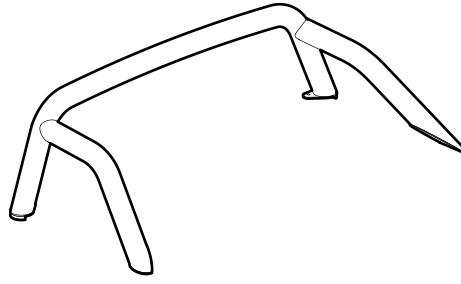




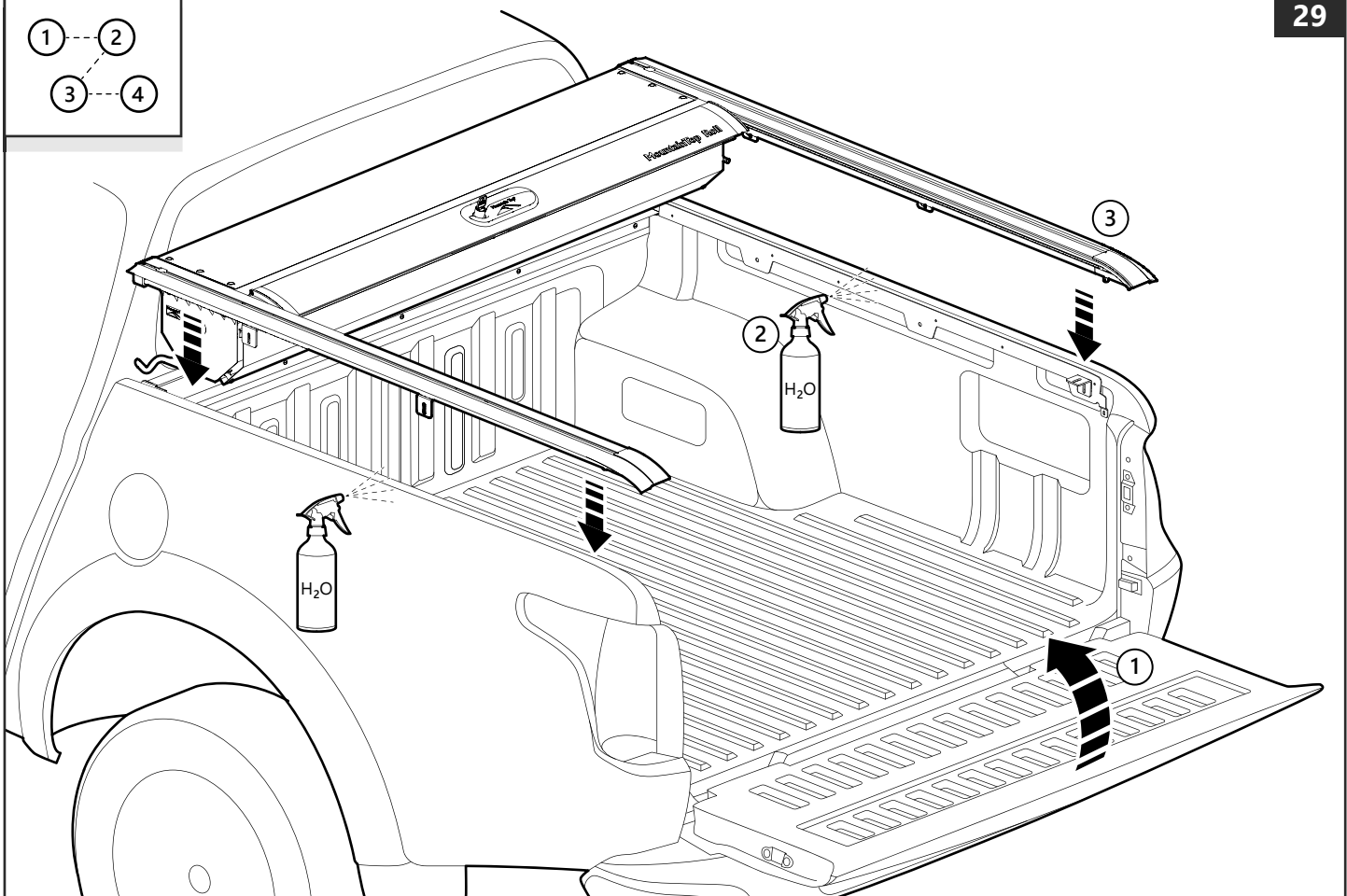


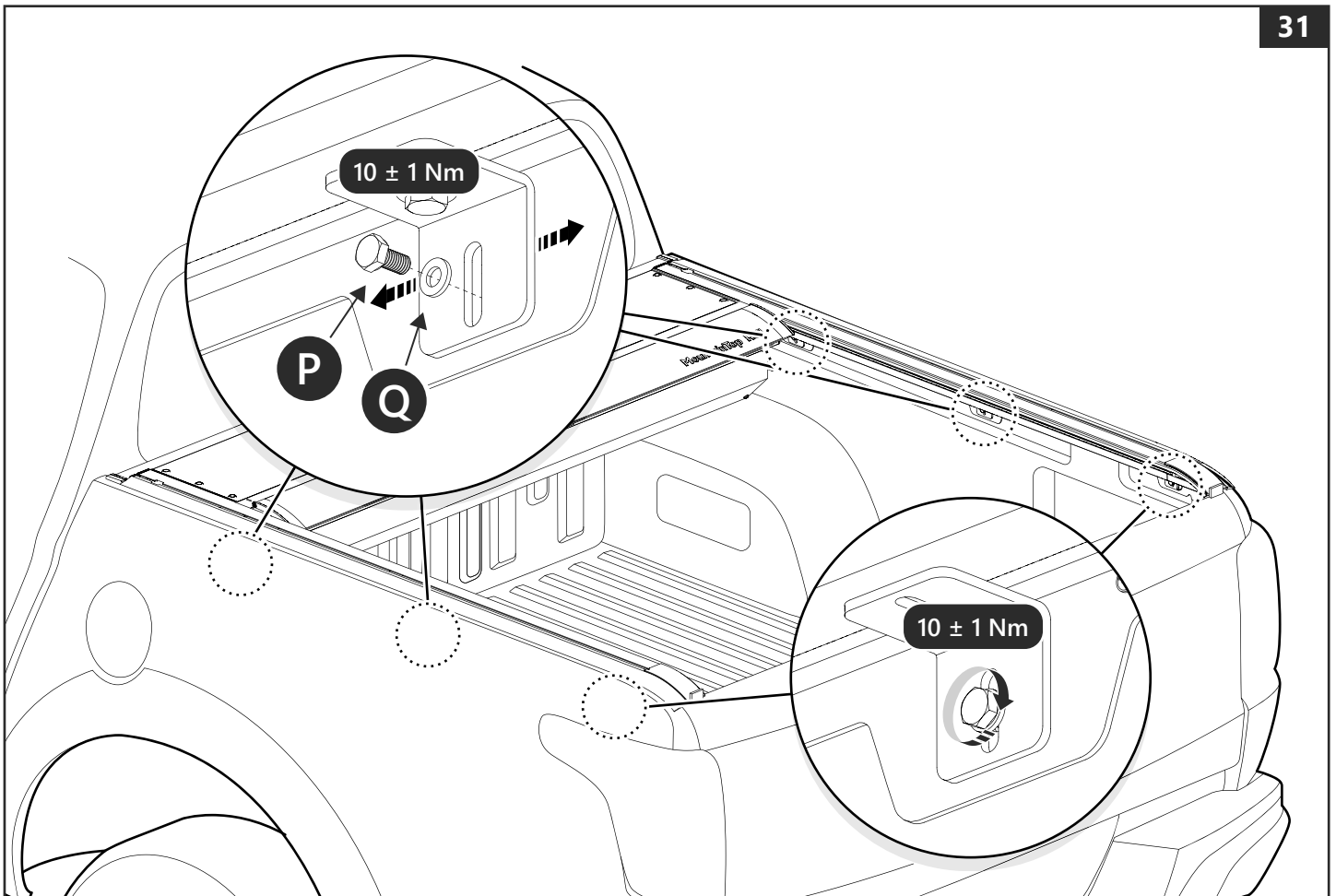
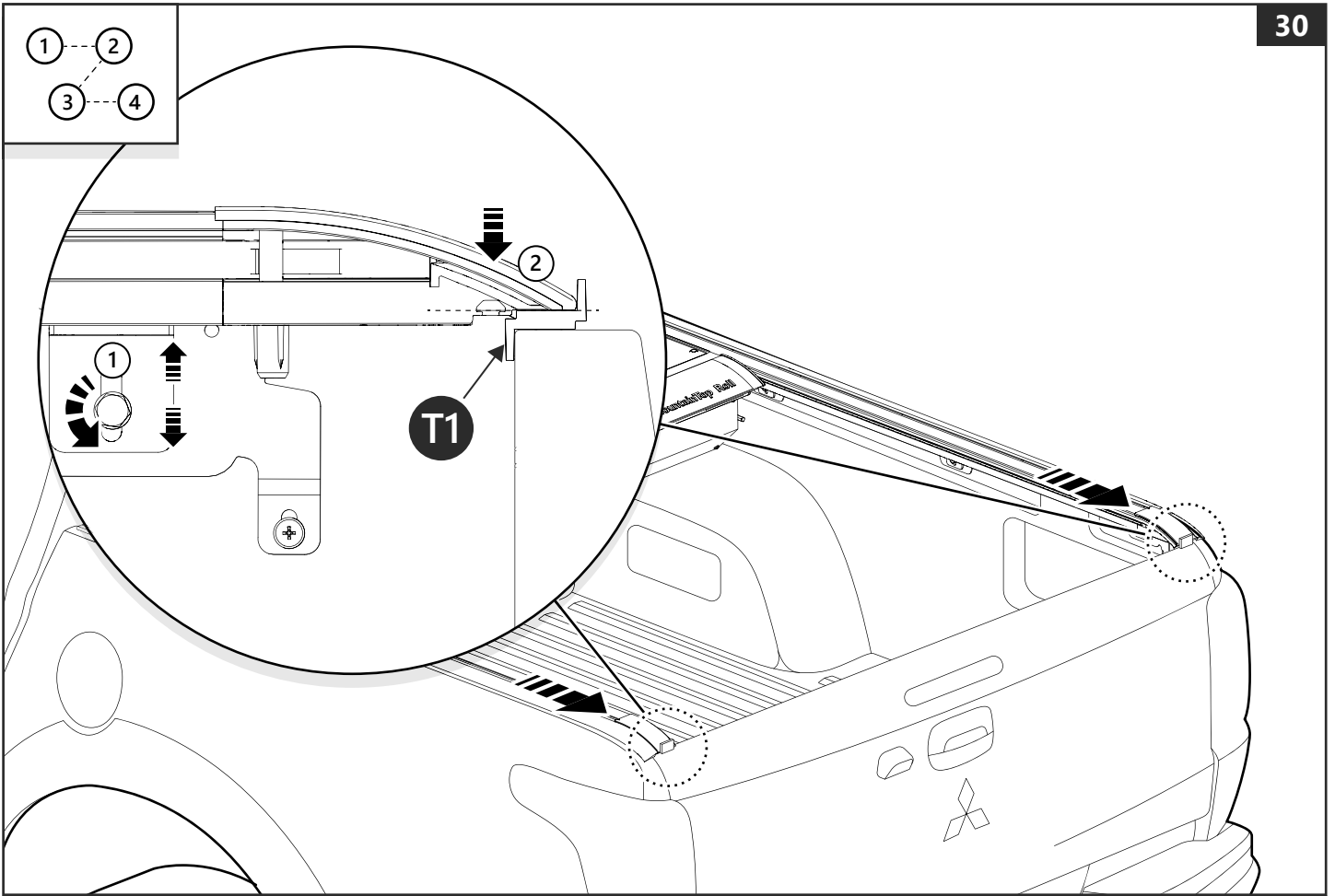




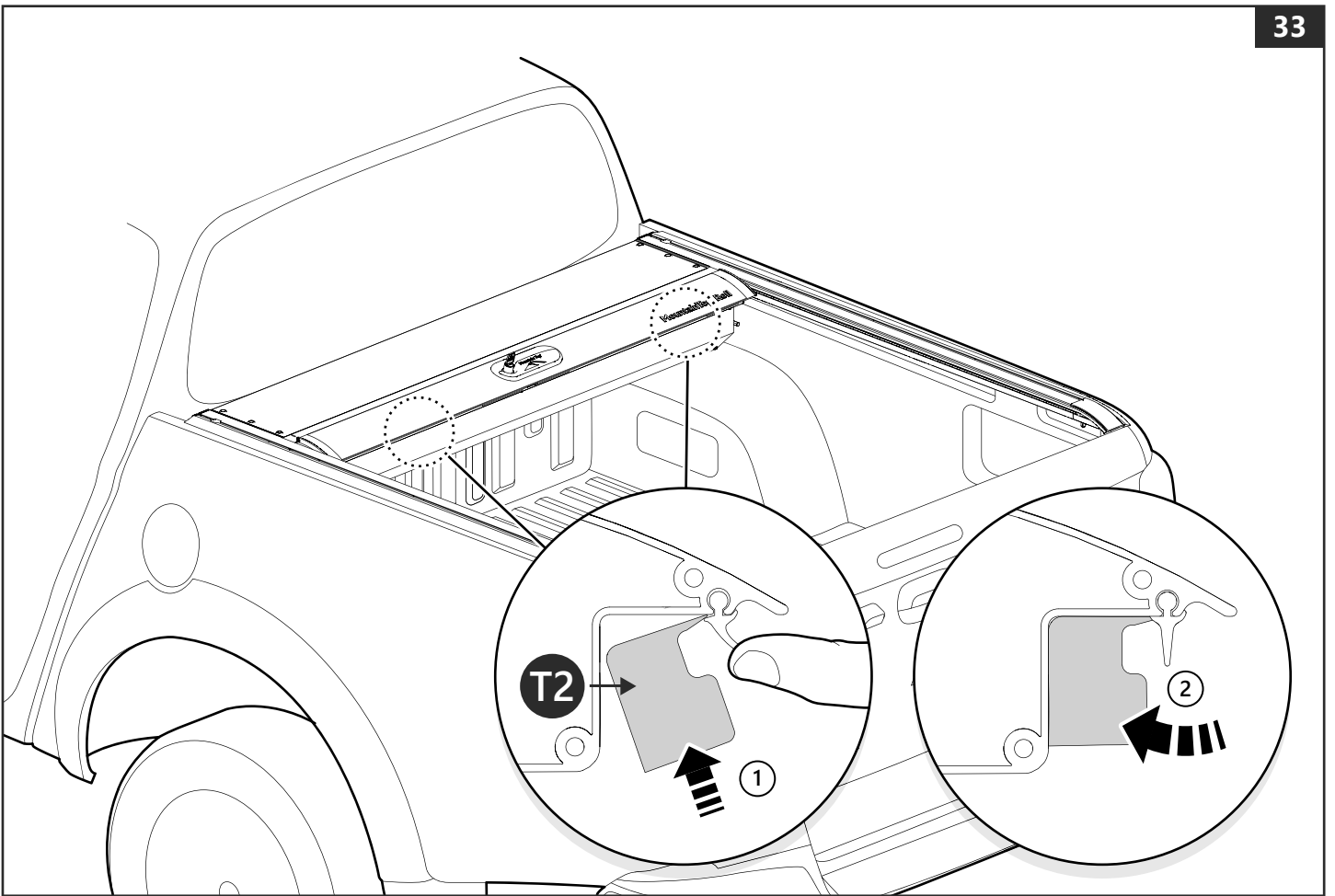
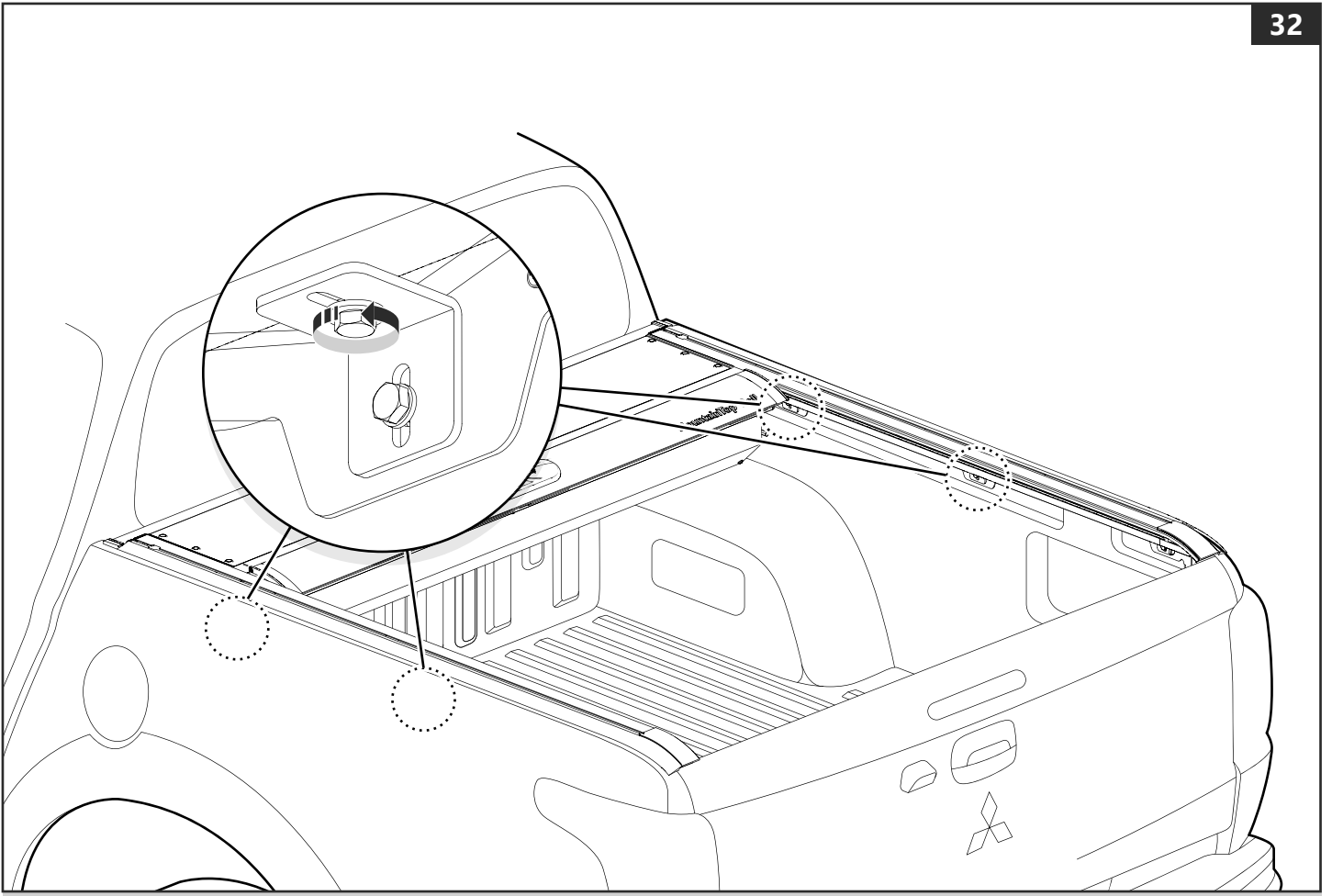


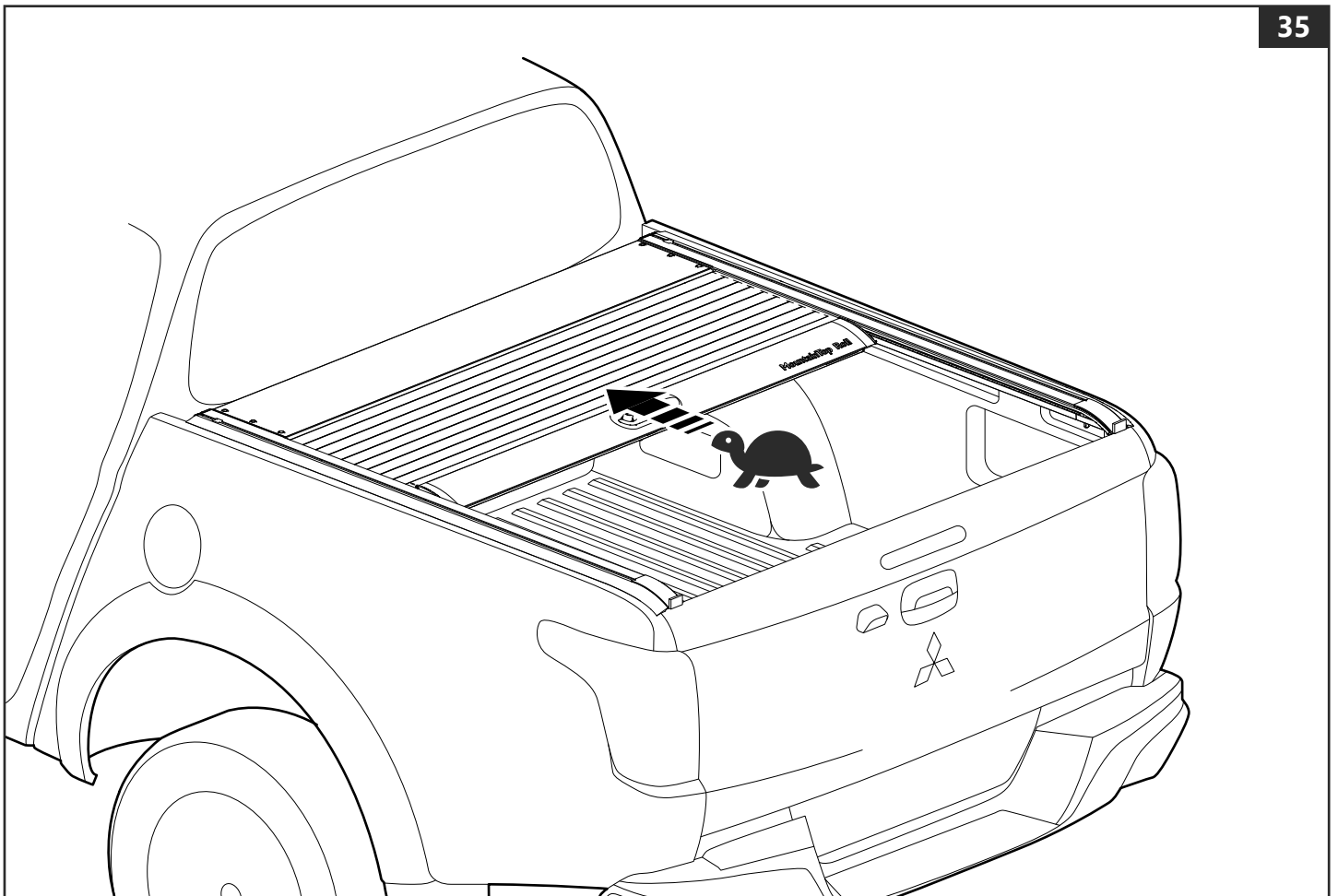
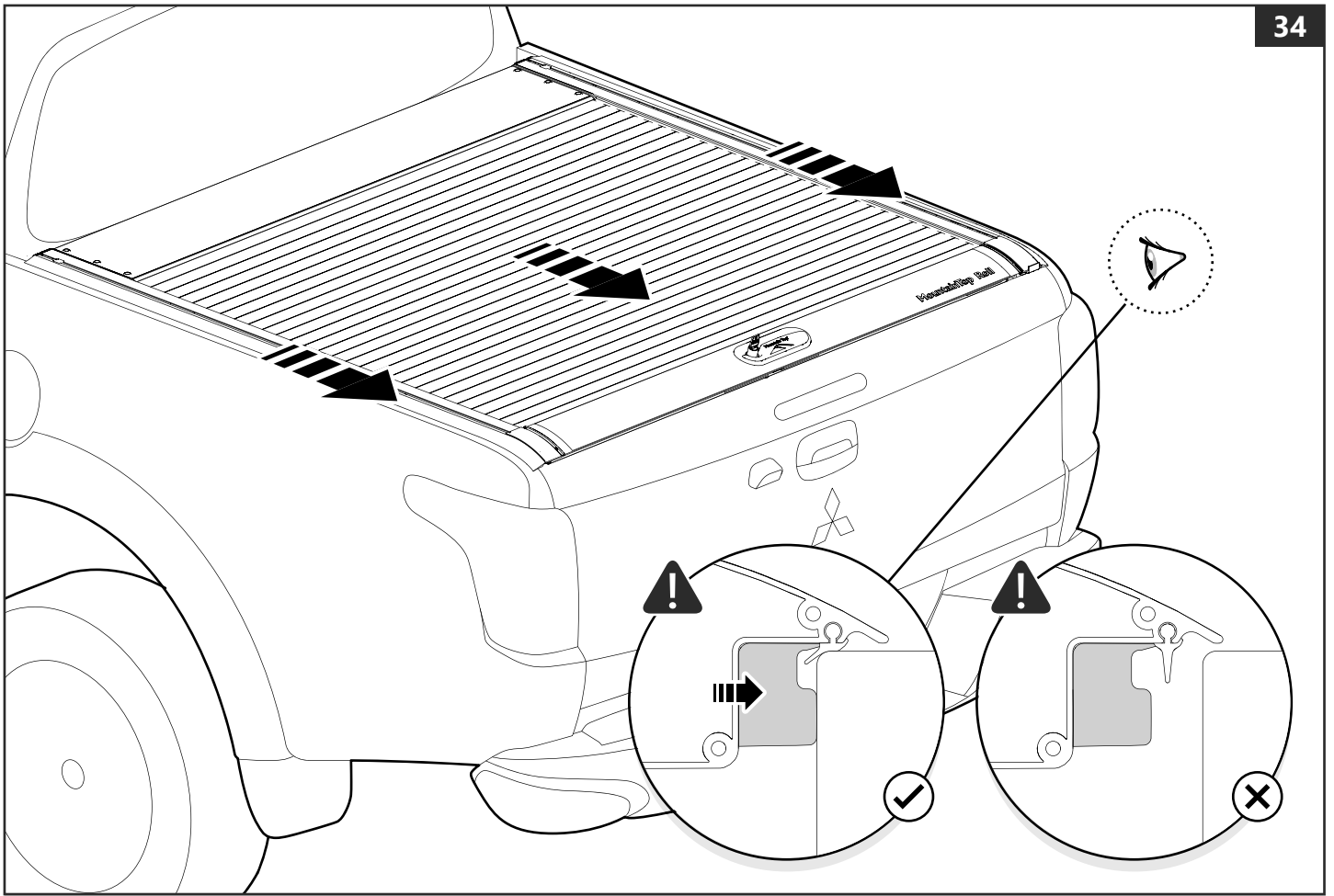
- ① - ②
- ③ - ④

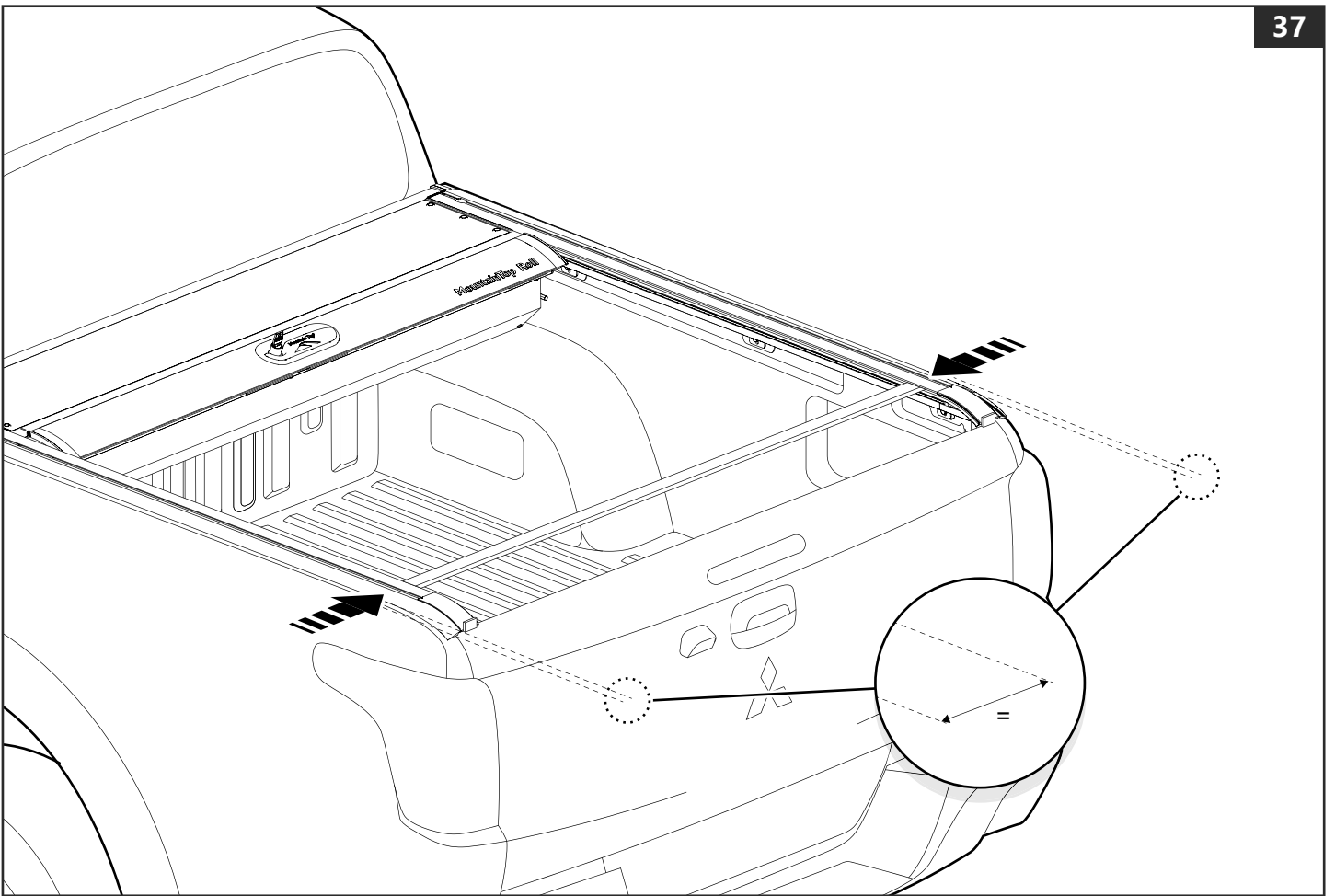
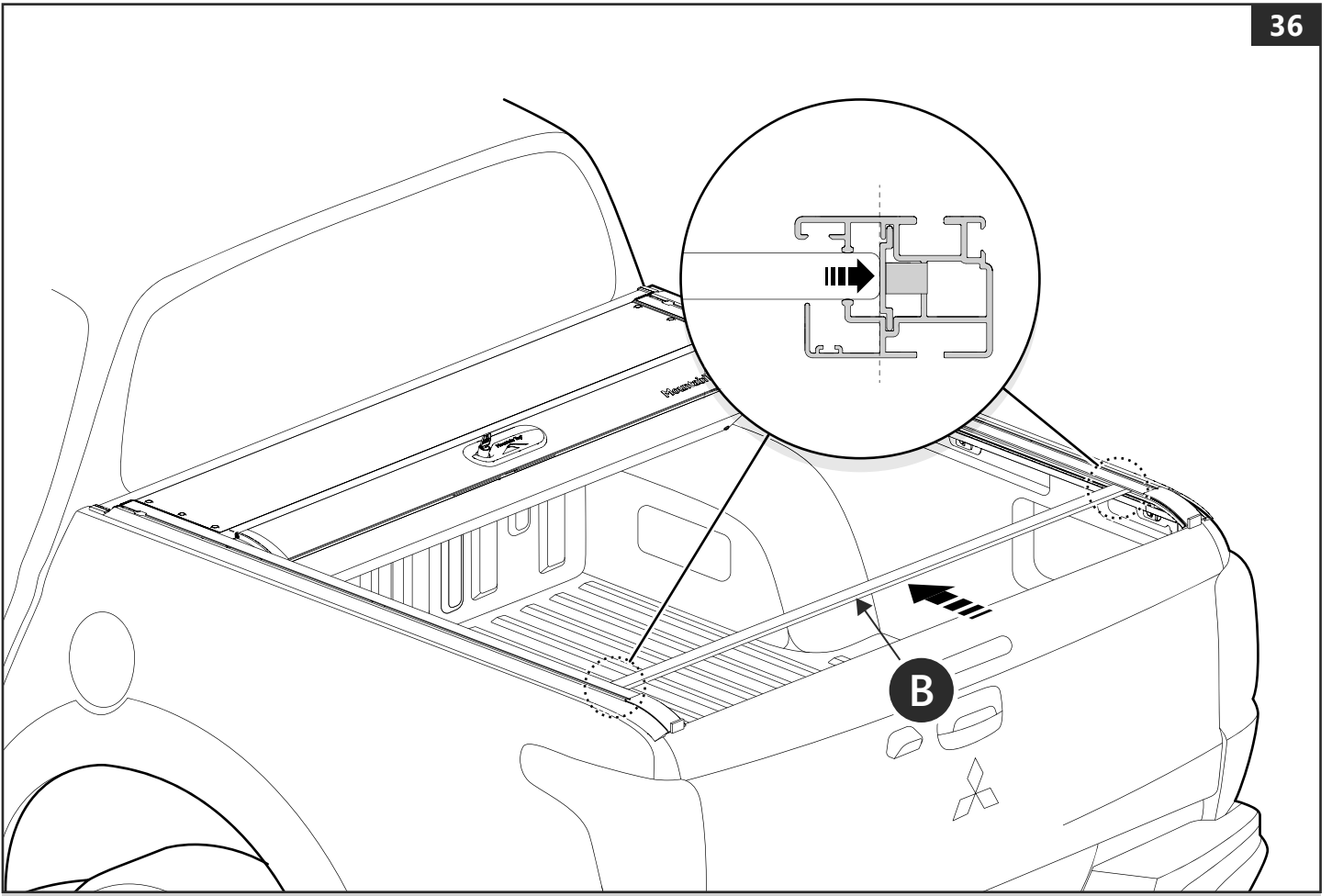


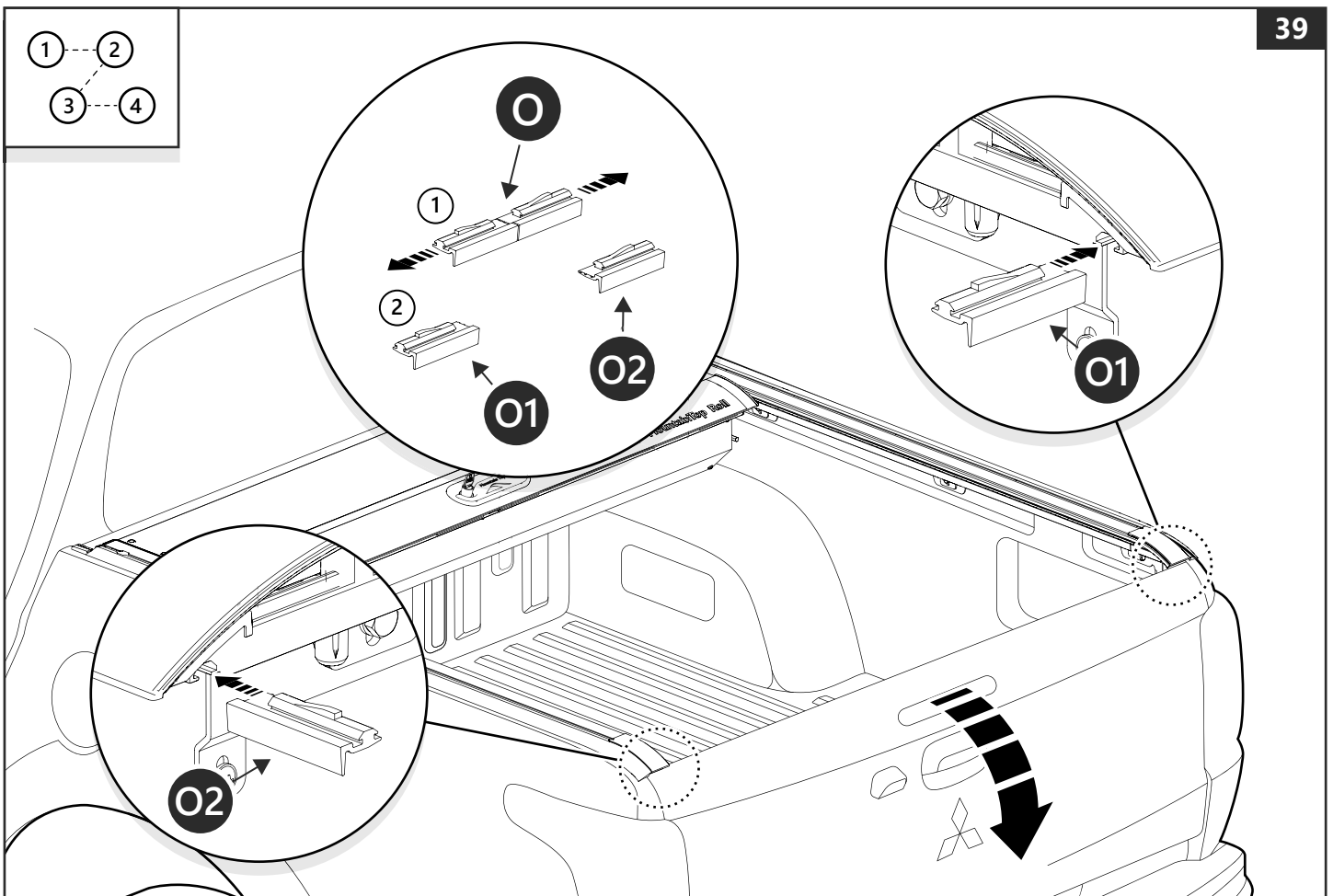
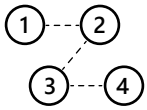
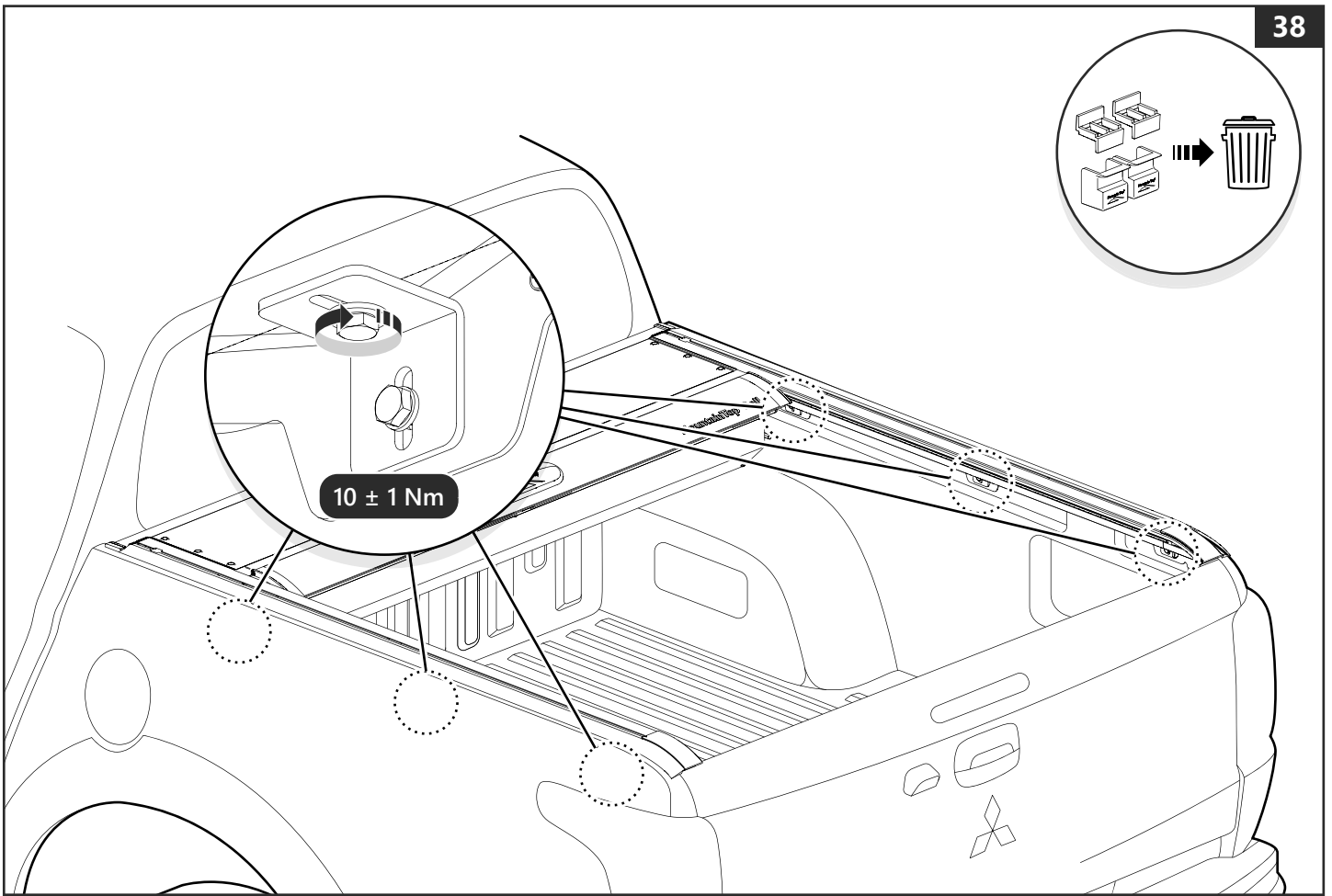
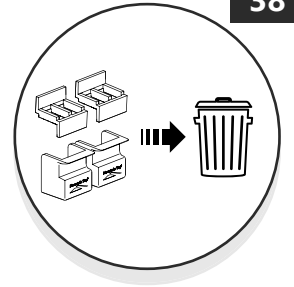


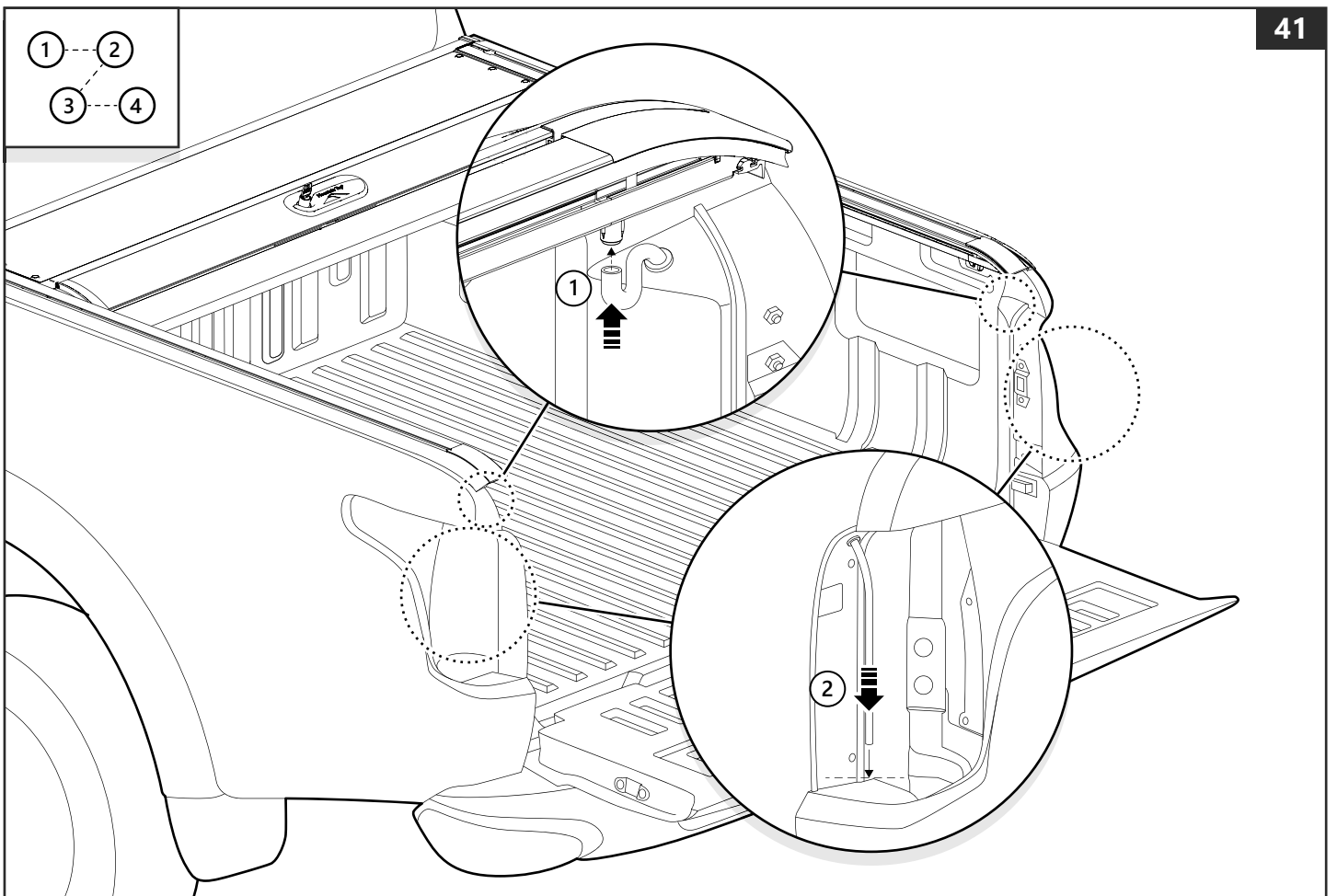
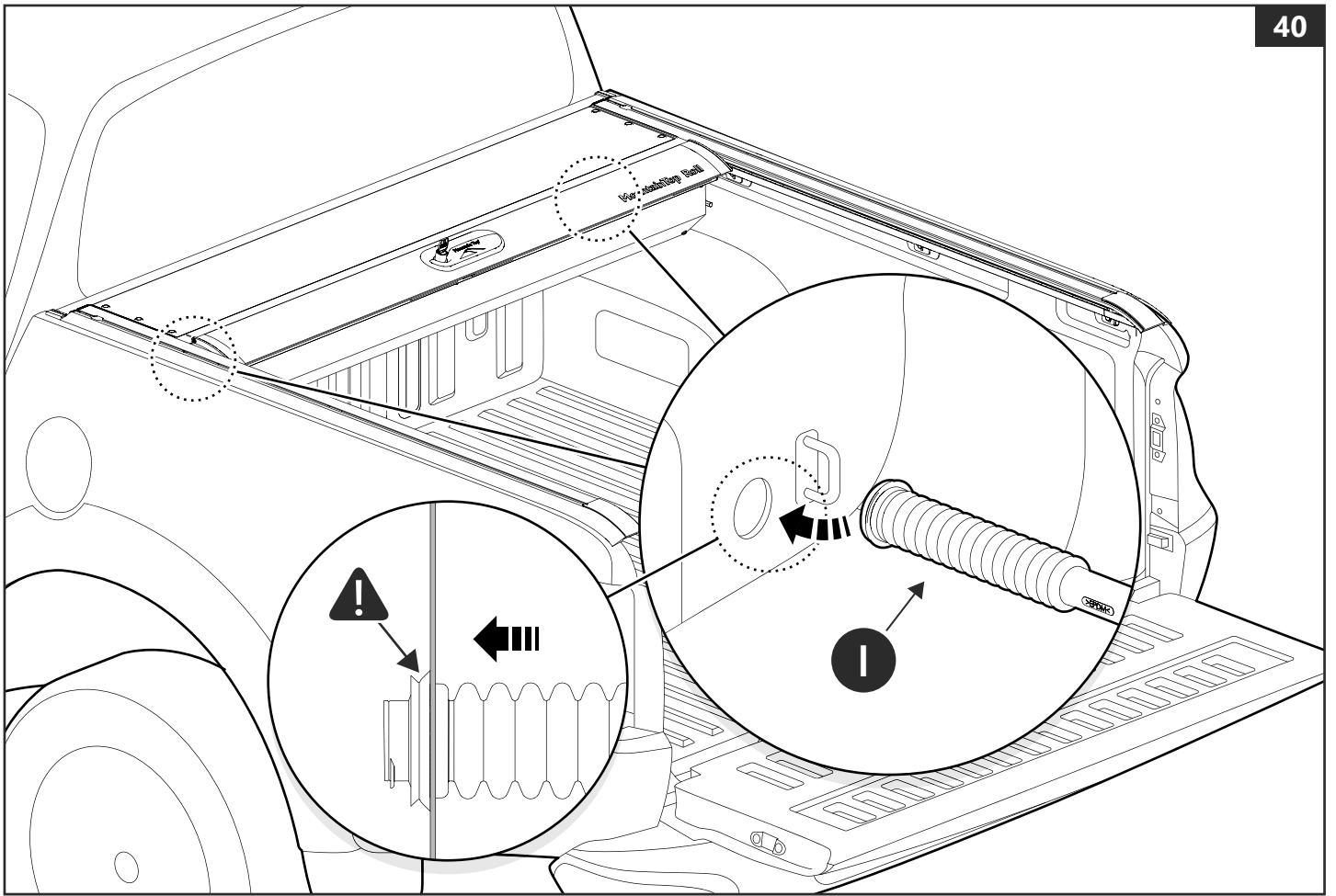


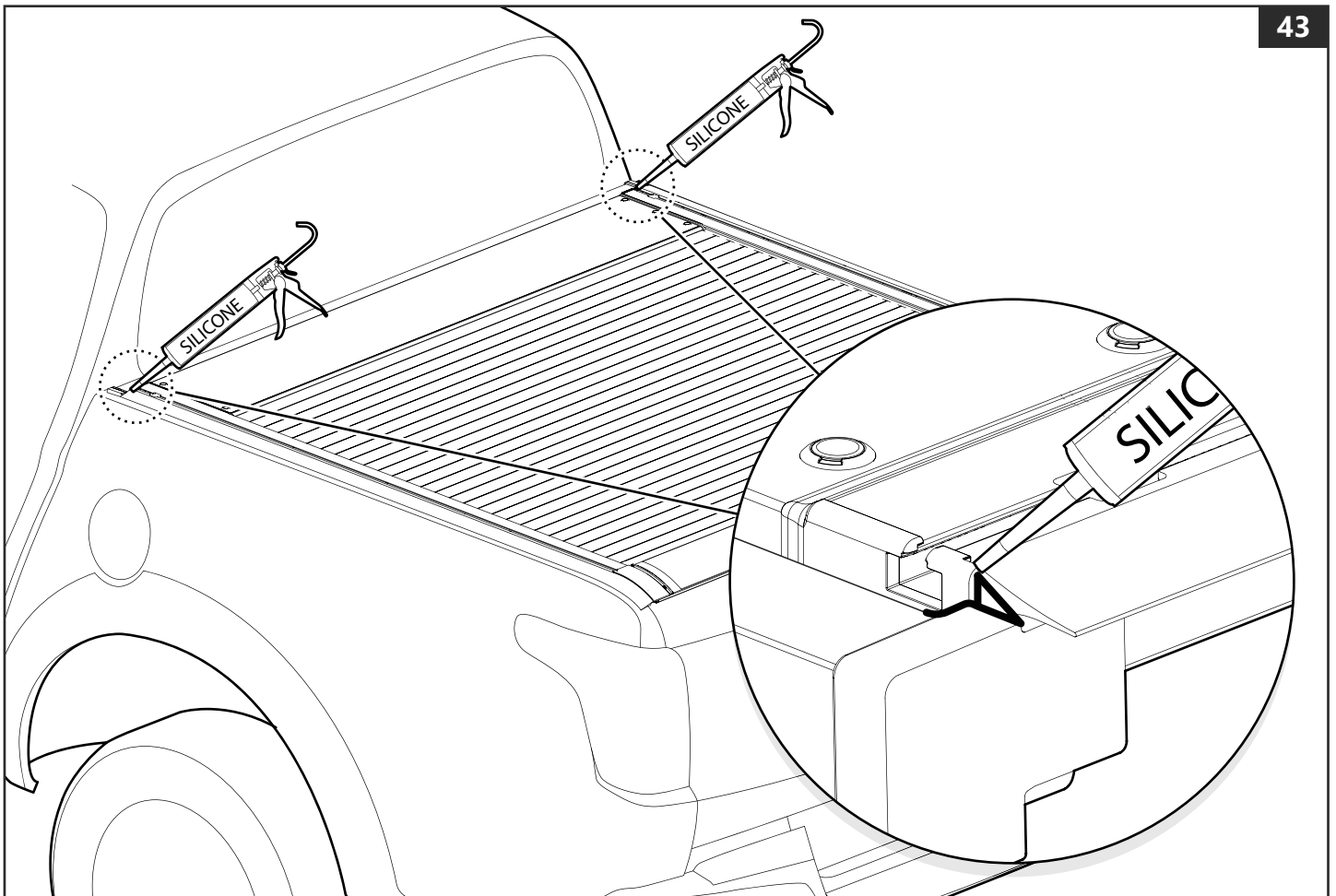
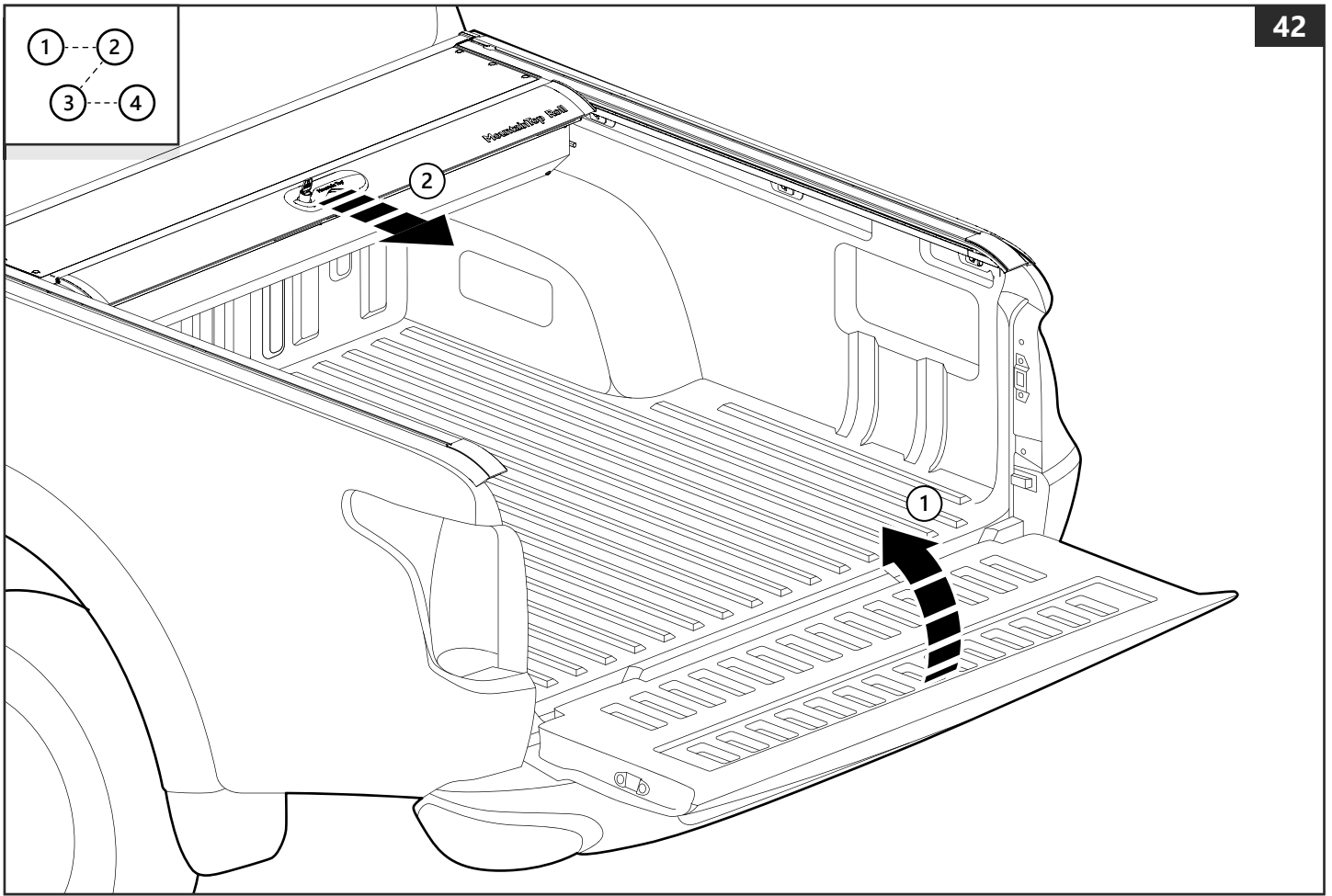


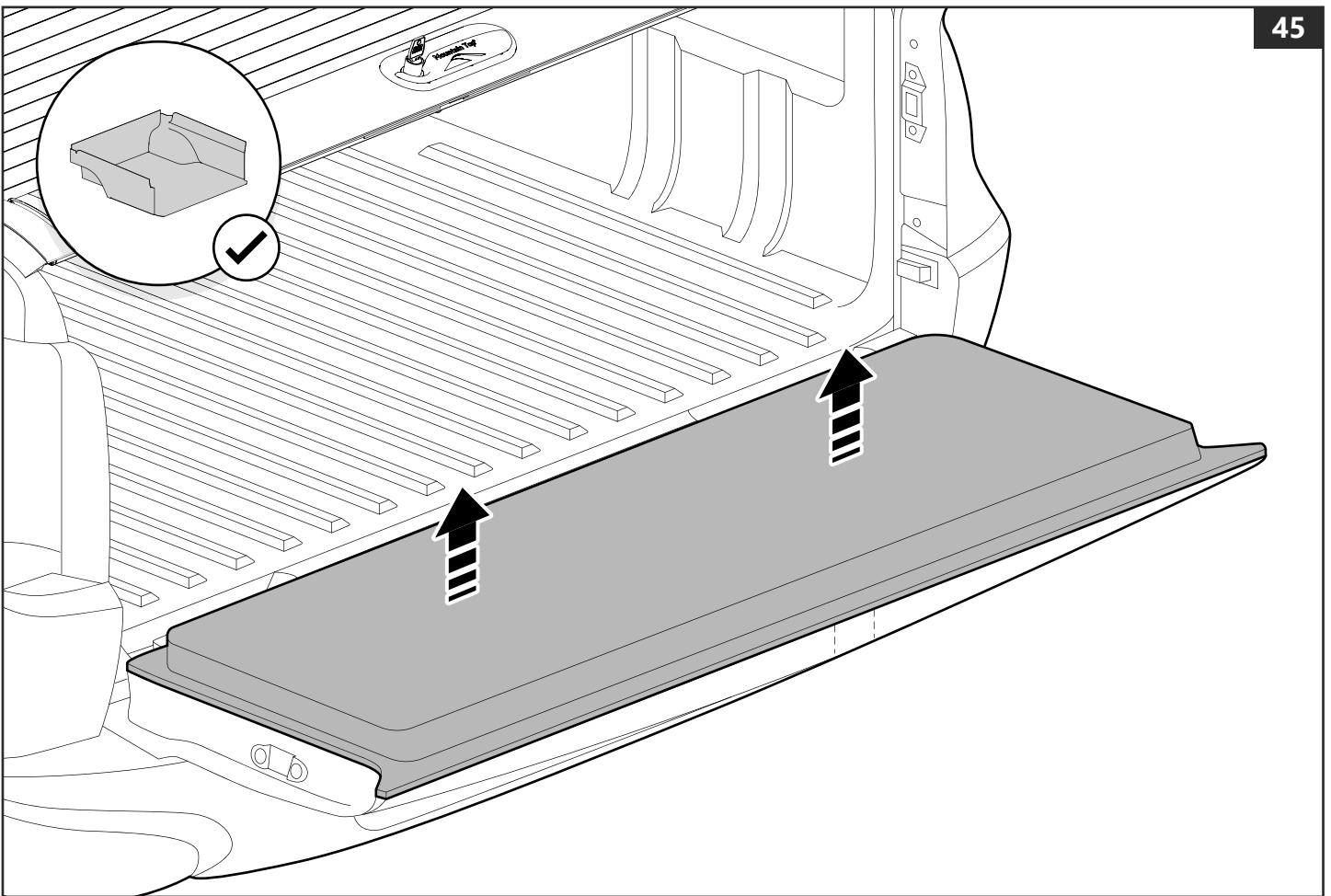
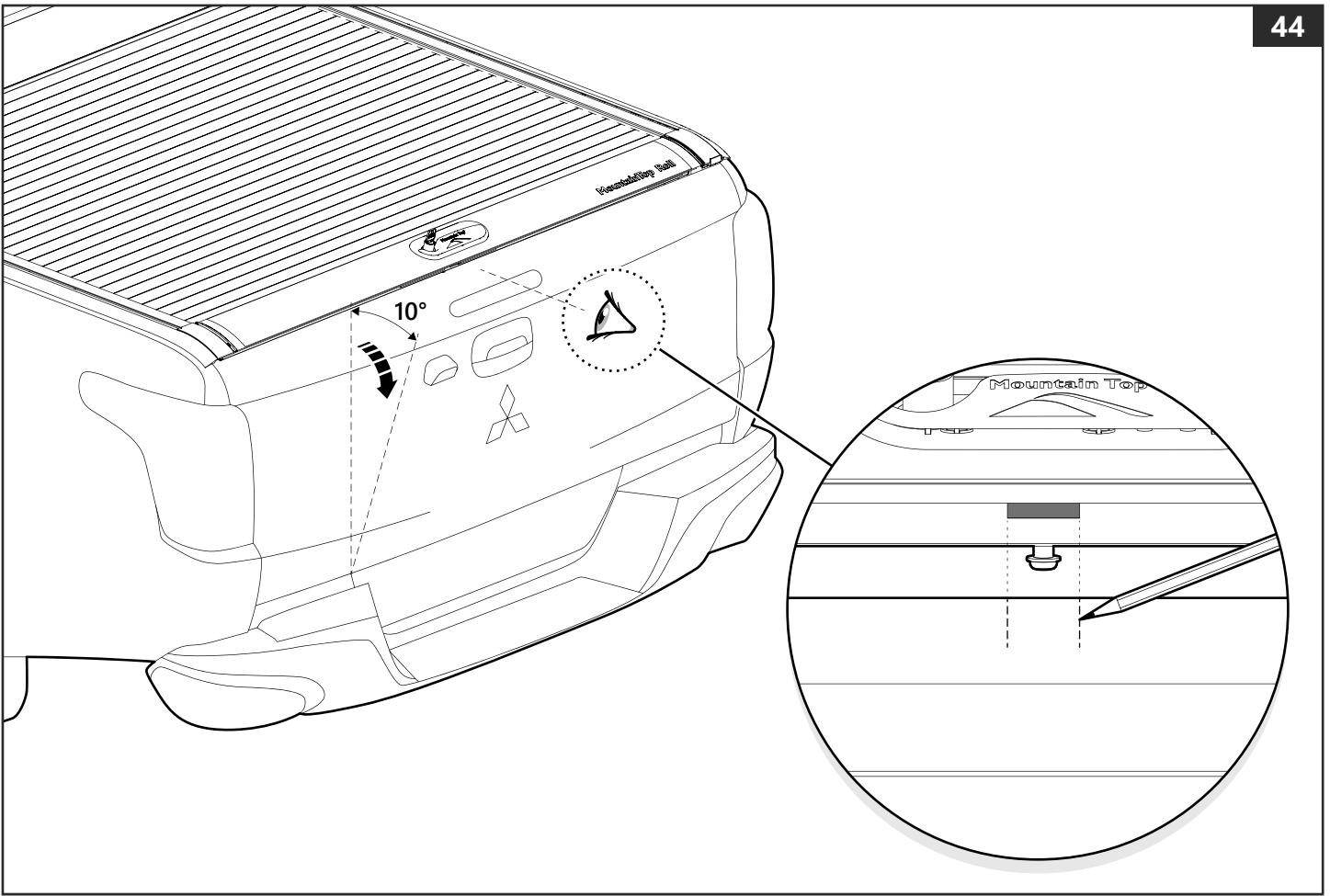


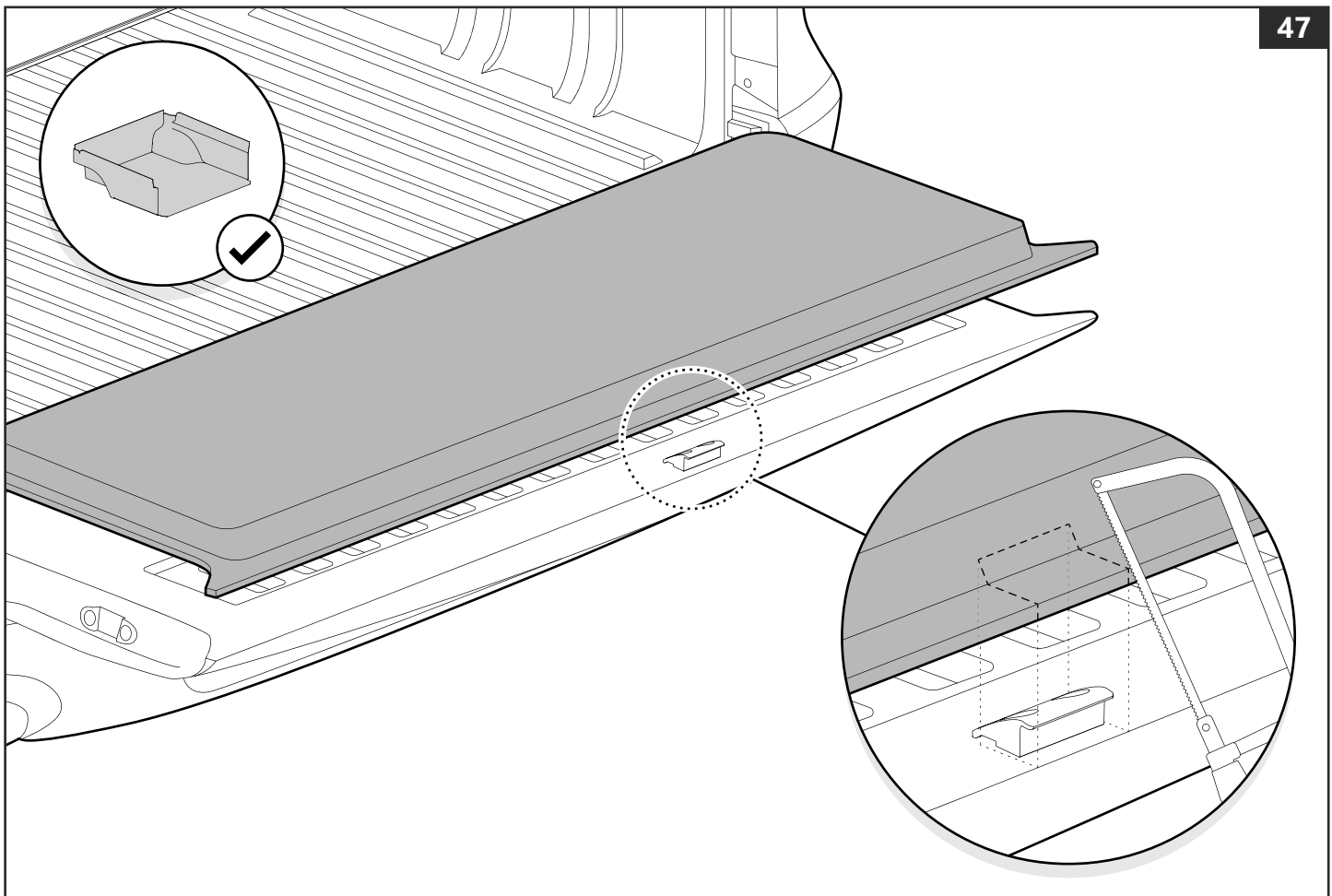
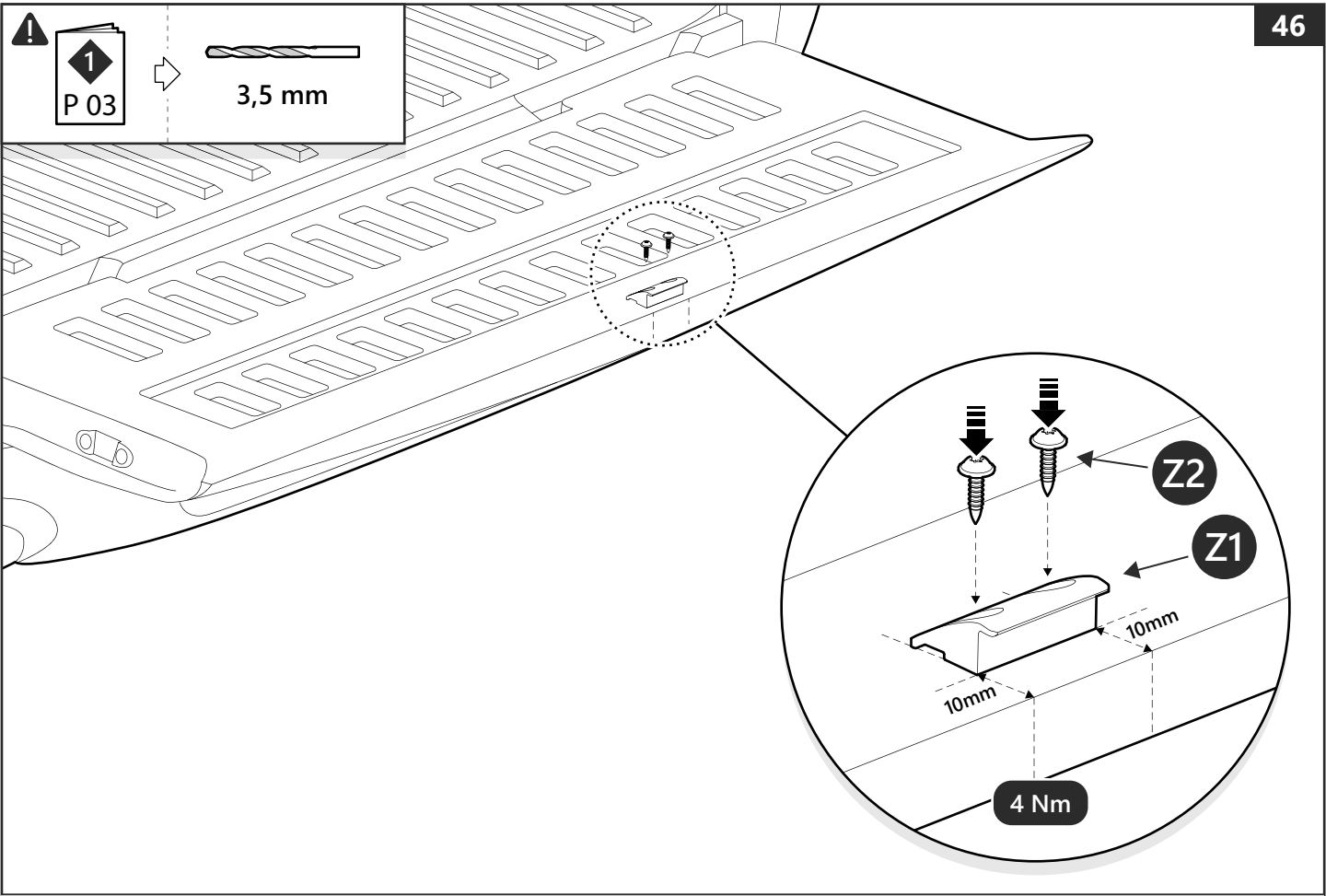




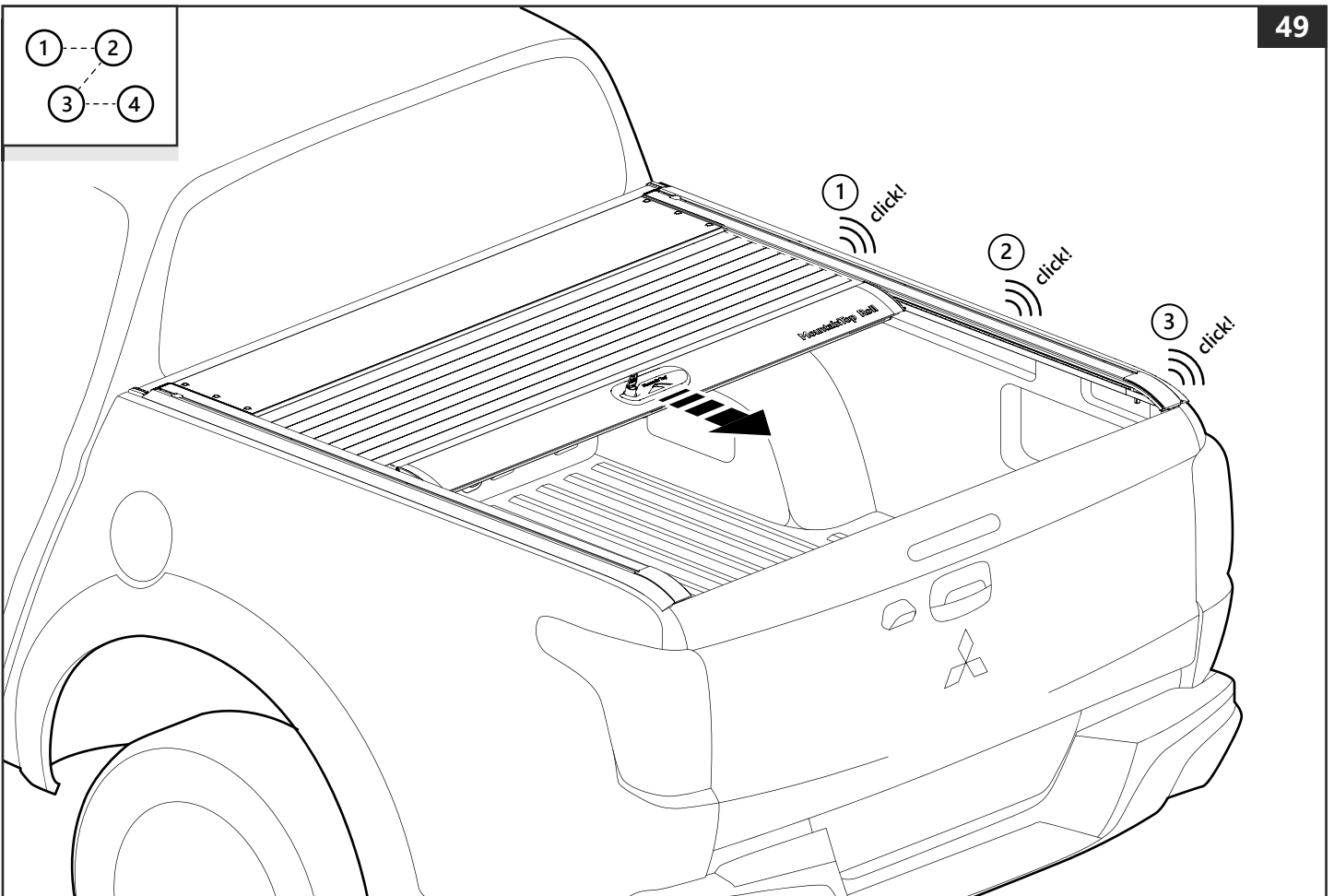
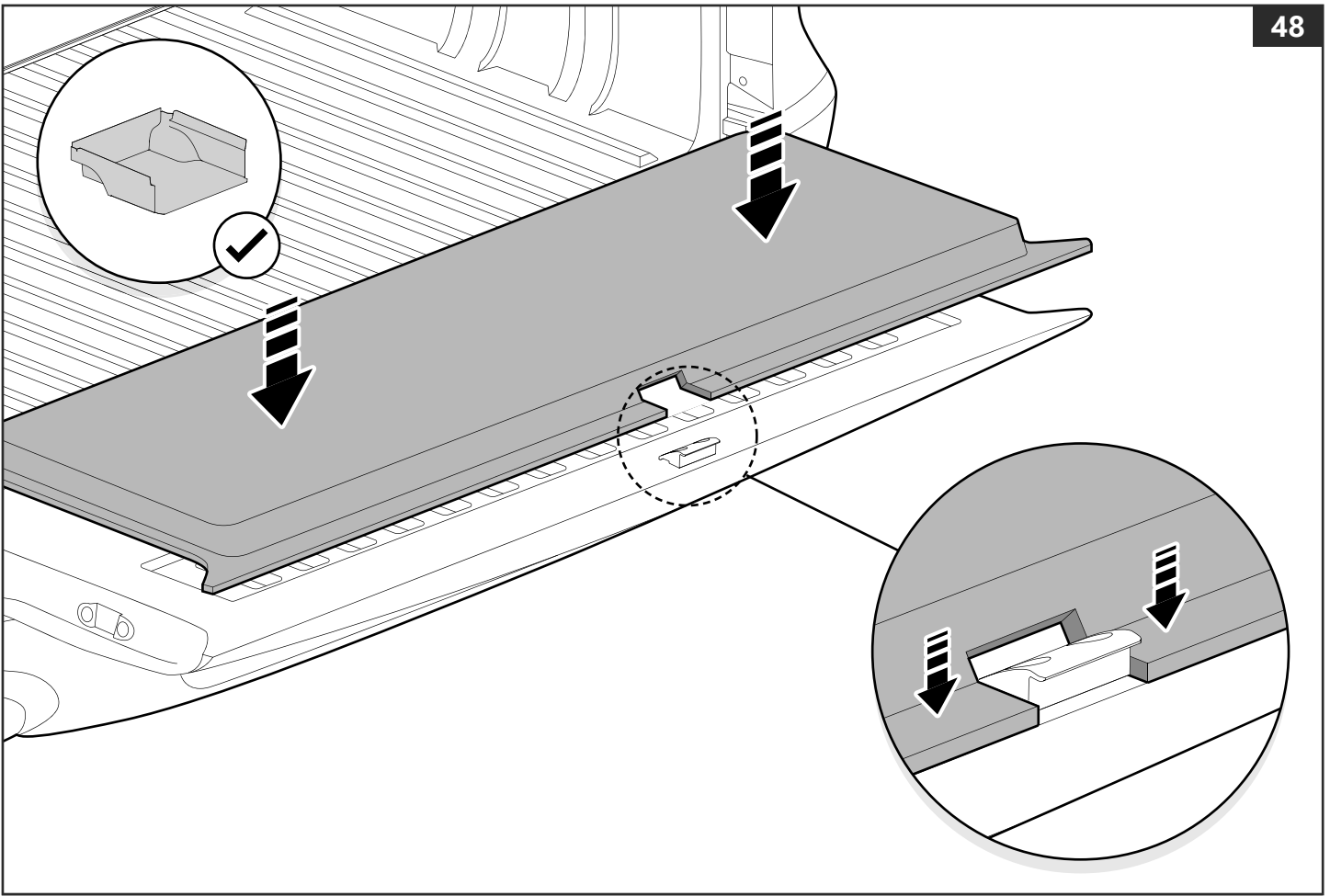


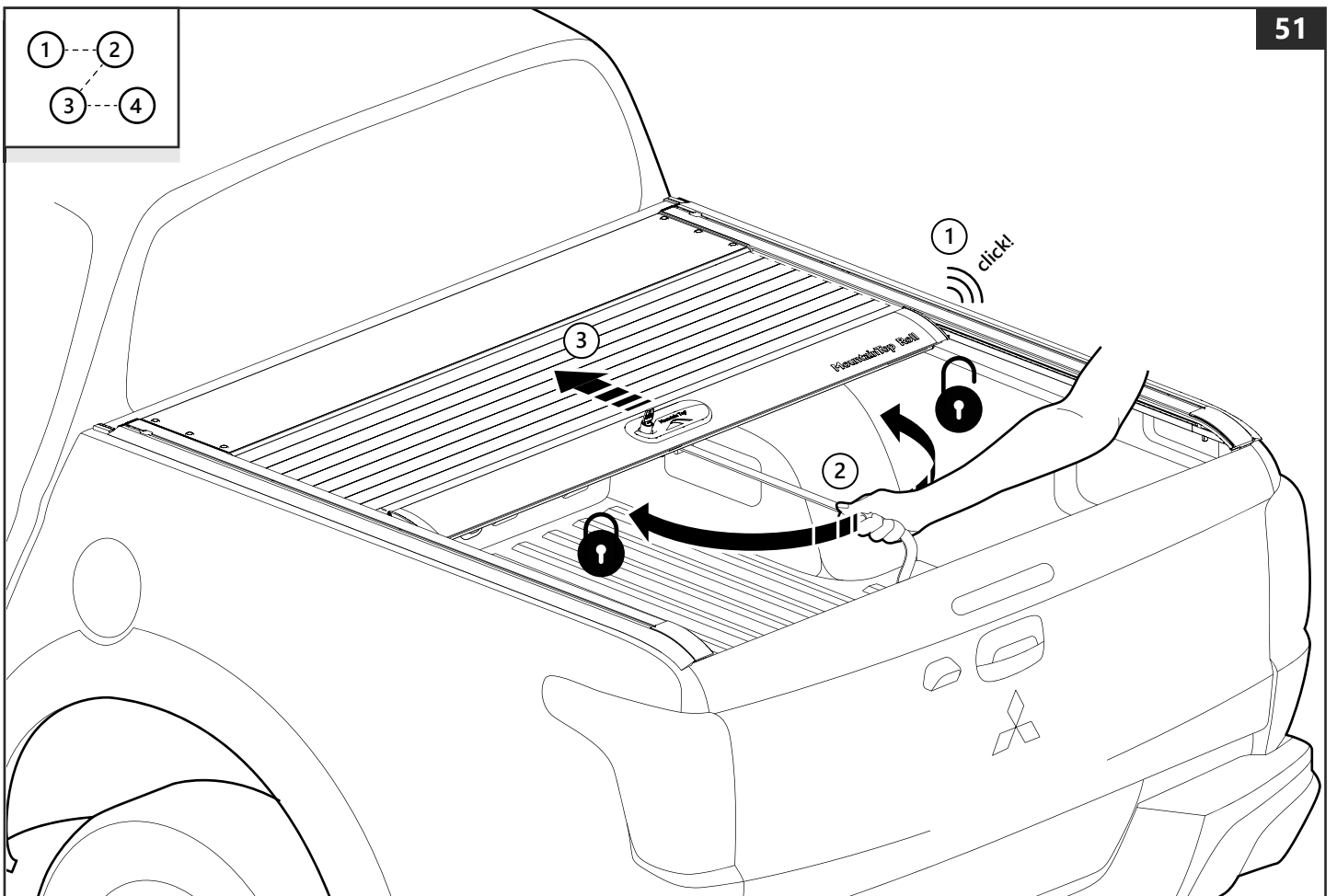
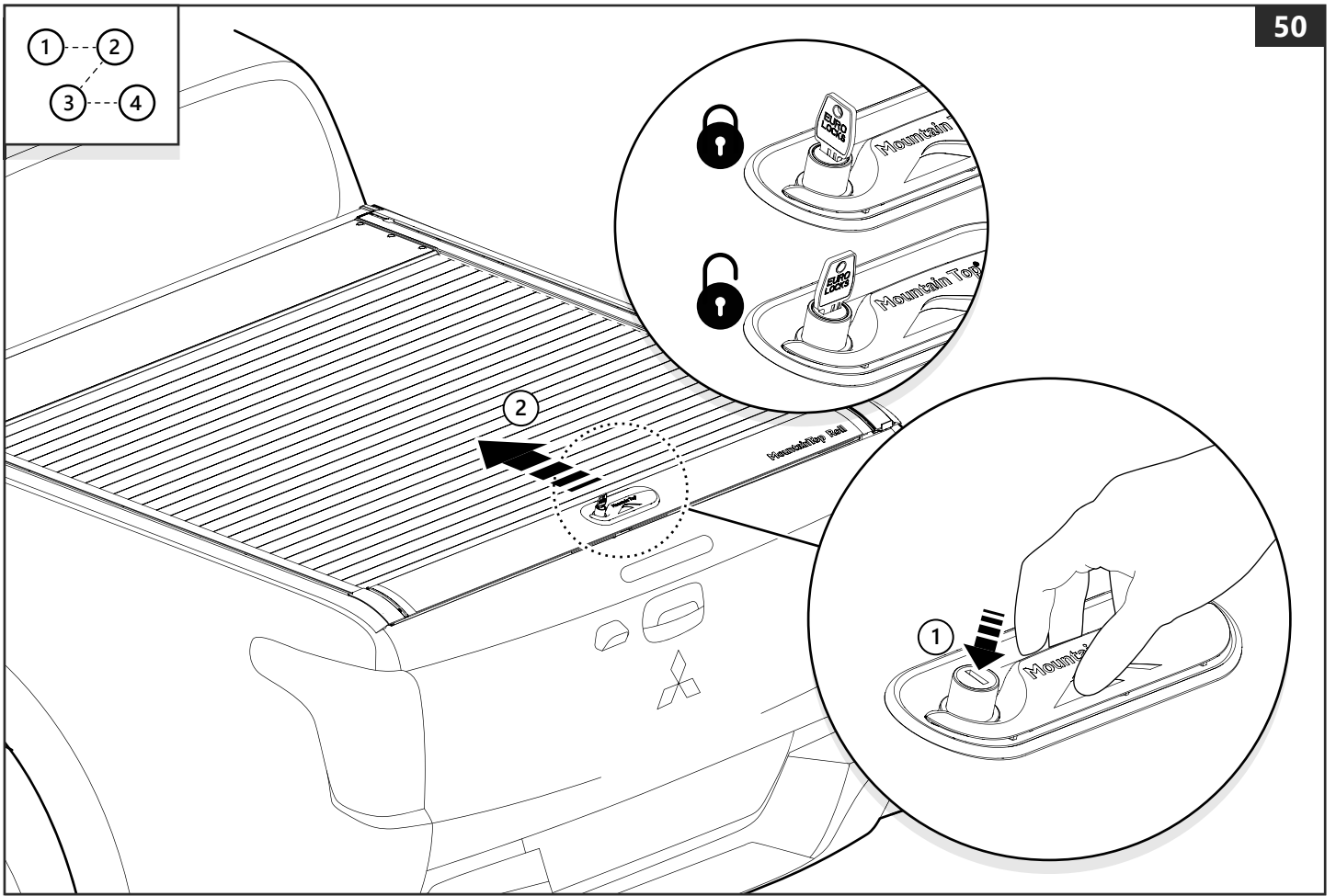


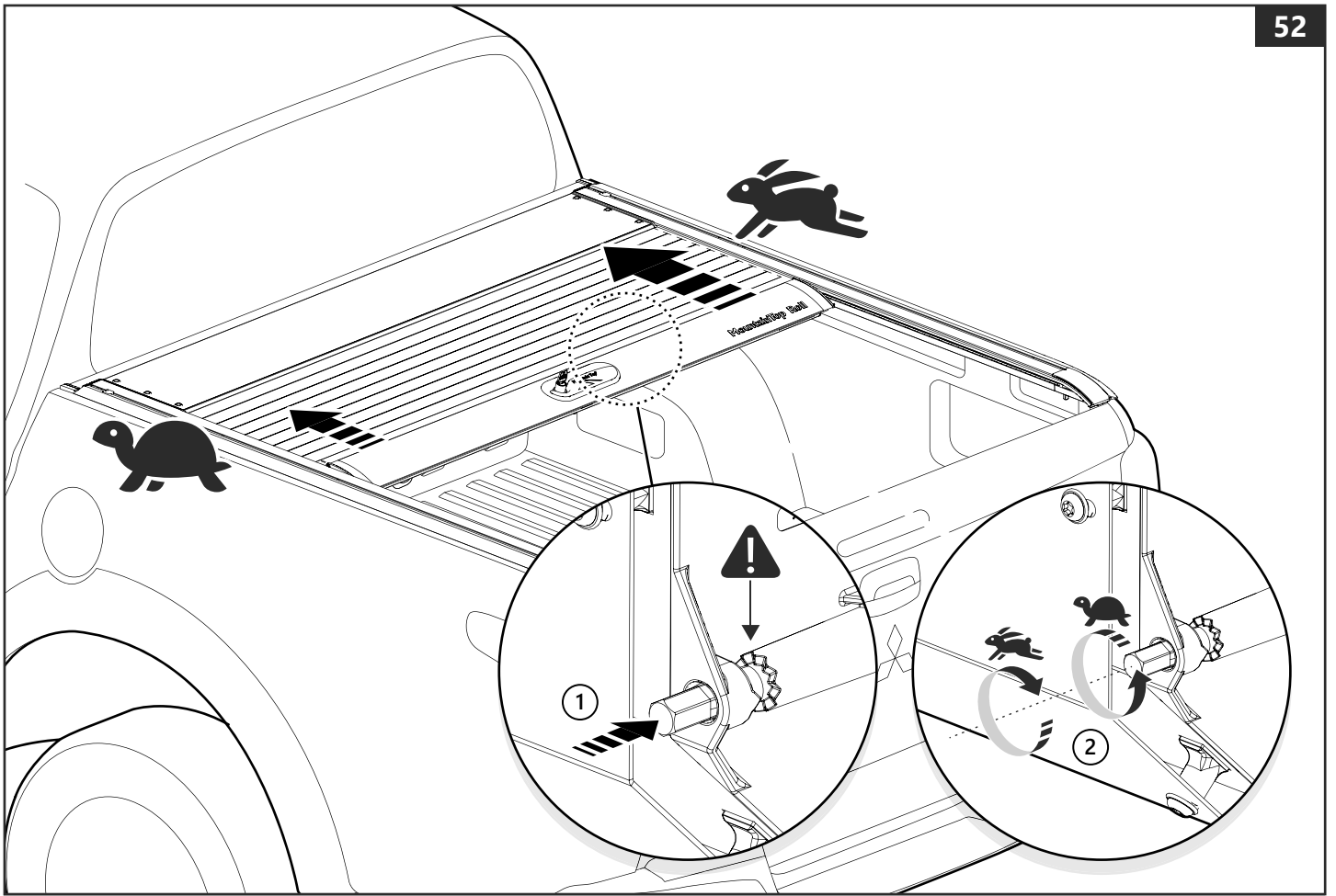














Customer Service +45 4810 2950 (08:00 - 16:00 CET)  
Fax +45 4810 2960  
Support info@mountaintop.dk  
Website www.mountaintop.dk  
Address Pedersholmparken 10, 3600 Frederikssund, Denmark

PART NUMBER(S)	MODEL / YEAR	CAB TYPE(S)	INSTALLATION TIME	WEIGHT
MTR MI90 / MTRA MI90	Mitsubishi / 2015 →	Double	2 hour(s)	34 Kg
MTR FI90	Fiat / 2016 →	Double	2 hour(s)	34 Kg

<b>GB</b> Installation manual	<b>S</b> Monteringsanvisning	<b>D</b> Einbauanleitung
<b>SF</b> Asennusohje	<b>E</b> Instrucciones de montaje	<b>CZ</b> Návod k instalaci
<b>F</b> Notice de montage	<b>H</b> Szerelési utasítás	<b>I</b> Istruzioni de montaggio
<b>PL</b> Instrukcja montażu	<b>P</b> Instruções de instalação	<b>GR</b> Οδηγίες Εγκατάστασης
<b>NL</b> Installatie-instructies	<b>RUS</b> Инструкция по установке	<b>DK</b> Monteringsvejledning
<b>TR</b> Montaj Talimatı	<b>N</b> Monteringsveiledning	<b>RO</b> Instructiuni de instalare